

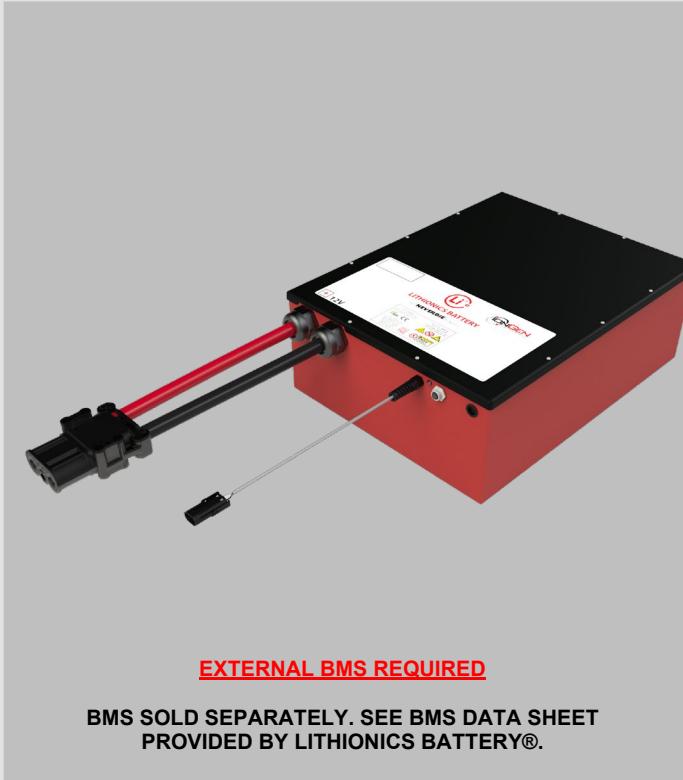
LITHIONICS BATTERY®

LITHIUM-ION IRON PHOSPHATE BATTERY SYSTEMS



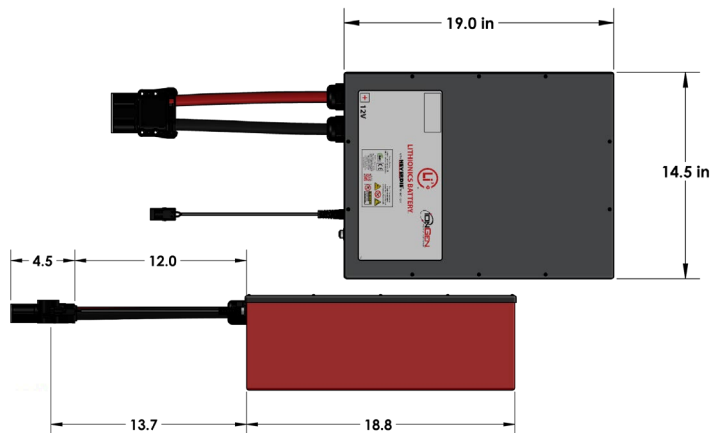
MODEL NUMBER:
GTO12V410A-E1914-DIN-HK | FLATPACK

High Energy Density Safe LFP, iONbus® Data Network,
UL Listed Internal Heating System, Fireproof Enclosure



Item	Description	
Model	GTO12V410A-E1914-DIN-HK	
Nominal Voltage	12.8V	
Nominal Capacity (Ah)	410Ah	
Nominal Watt Hours	5248Wh	
Internal Resistance	≤5mΩ	
Charge		
Charging temperature range	32 to 140°F (0 to 60°C), OR -4 to 140°F (-20 to 60°C) with Heater Kit	
Charge voltage	14.4V RECOMMENDED, 14.6V MAX	
Recommended float charge voltage(for)	13.4-13.6V	
Recommended max charge current*	205A	
Allowed max charge current*	350A	
Discharge		
Discharging temperature range	-4 to 140°F (-20 to 60°C)	
Operating Voltage Range	10.4V-13.4V	
Recommended max discharge current*	205A	
Max discharge current*	350A	
Pulse discharge current (1 second)	1200A	
Discharge cut-off voltage	NeverDie® Power Reserve @ 12.0V Low-Voltage Cut-Off @ 10.4V	
Mechanical Characteristics		
Dimensions	Length 19" Width 14.5" Height 6.6"	
Mounting Orientation	Upright position only (black lid faces up)	
Weight	<100 LBS	
Storage		
Storage	< 1 Month -4~95°F (-20~35°C), 45~75%RH	
Temperature & Humidity Range	< 3 Months 14~86°F (-10~30°C), 45~75%RH	
Recommended storage	59~95°F (15~35°C), 45%RH~75%RH	
Long Term Storage	If the battery needs to be stored for > 3 months the voltage should be 13.2V (50%SOC), and stored at the recommended storage	
Self-discharge rate	Residual capacity	≤3% per month; ≤15% per year
	Reversible capacity	≤1.5%per month; ≤8% per year

* Maximum charging and discharging rates apply depending upon the ambient temperature and duty cycle of the UL1973 tests of maximum charge and discharge current were performed at 25°C/77°F



NEVERDIE®

ENERGY

410 AMP HOURS
5248 WATT-HOURS

WARNING

SEE PAGE 2 "FRONT" VIEW FOR PERMITTED INSTALLATION ORIENTATION.

NOTE: CONTACT LITHIONICS BATTERY® FOR A USER INSTALLATION GUIDE & STORAGE PROCEDURES. FOLLOW THE GUIDE TO ENSURE FITNESS OF USE & WARRANTY.

CAUTION! READ ALL INSTRUCTIONS BEFORE INSTALLATION, OPERATION, AND MAINTENANCE OF THIS BATTERY SYSTEM.



12V
GTO
SERIES

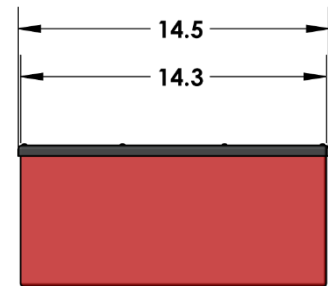
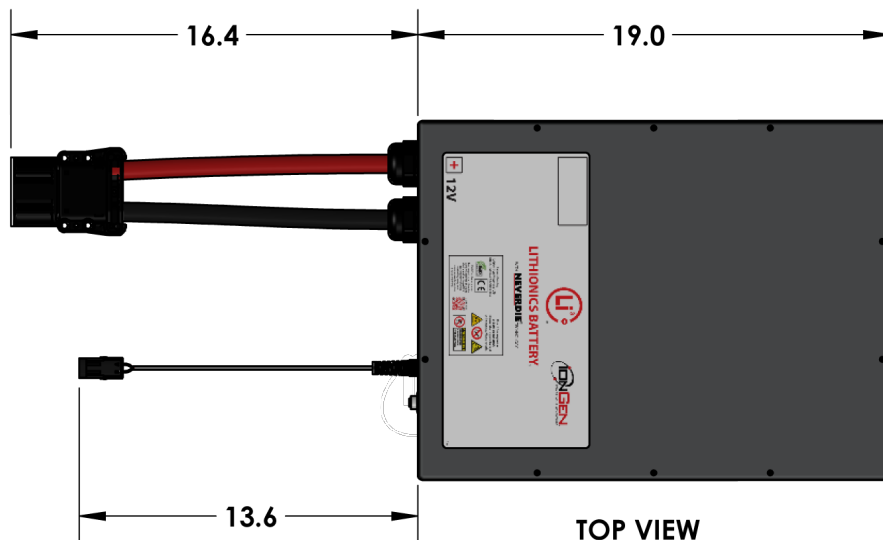
LITHIONICS BATTERY®

LITHIUM-ION IRON PHOSPHATE BATTERY SYSTEMS

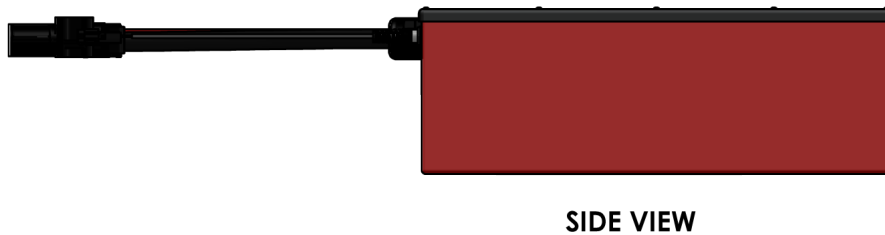


MODEL NUMBER:
GTO12V410A-E1914-DIN-HK

DIMENSIONS
& FEATURES



BACK VIEW



FRONT VIEW
(MOUNTING ORIENTATION)

