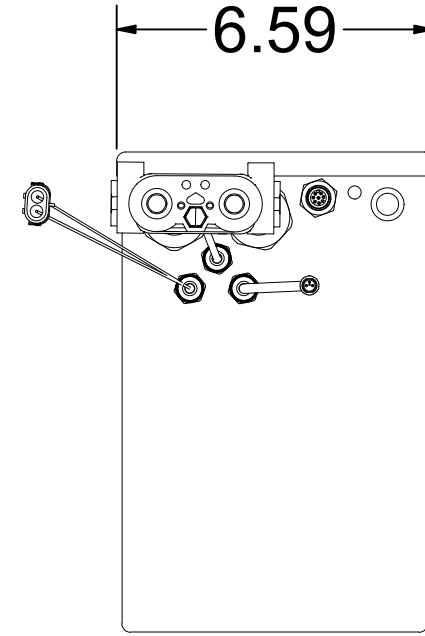
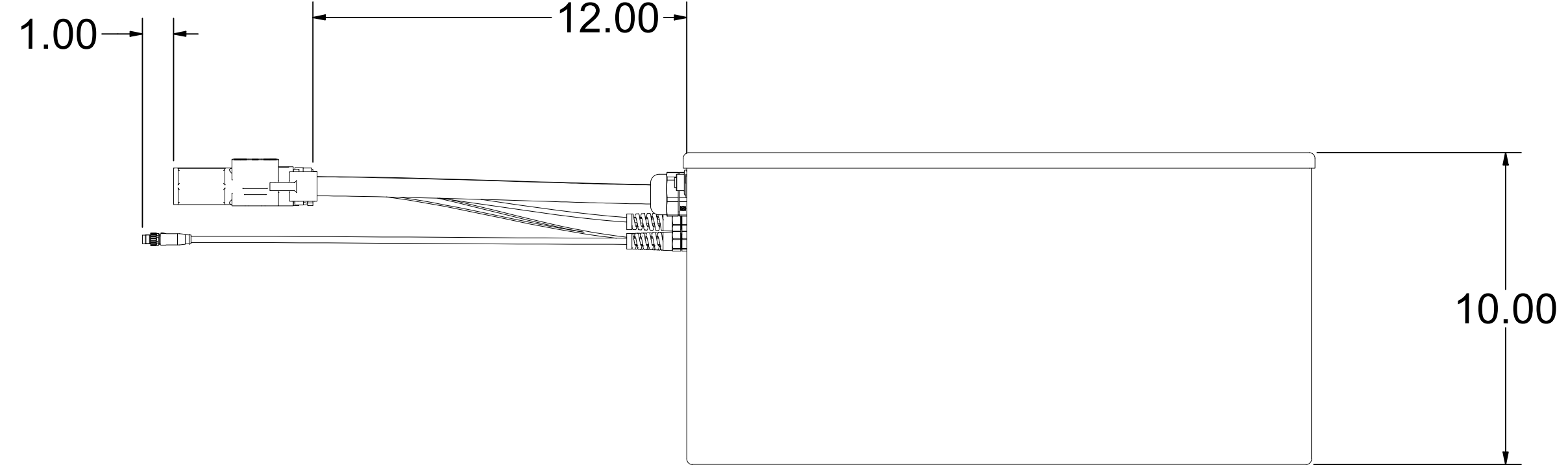
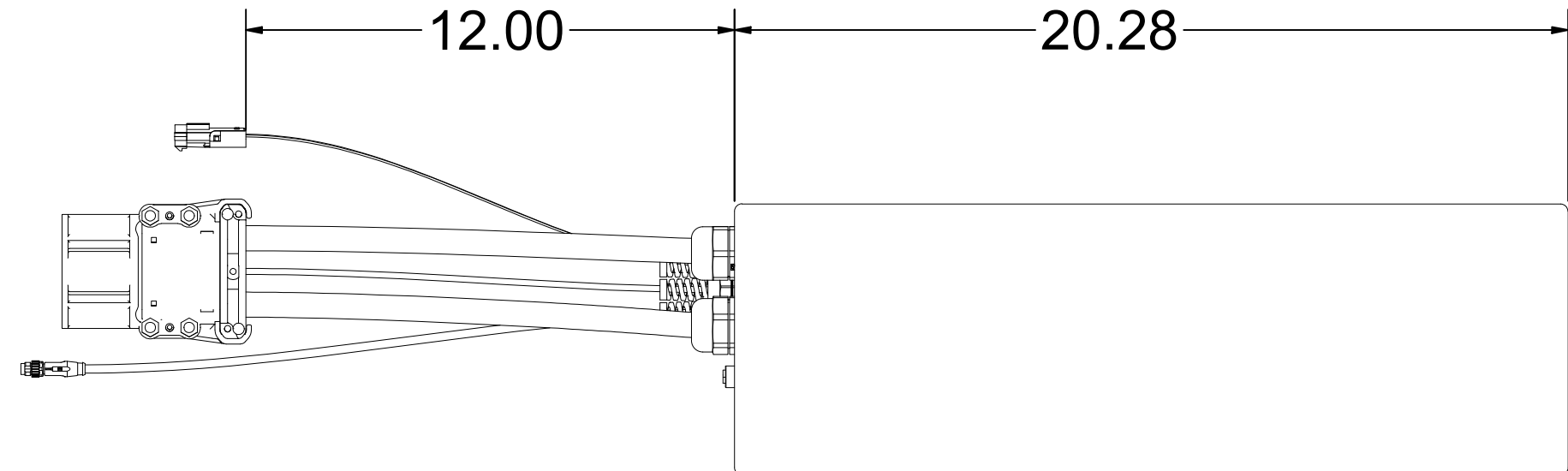


REVISION HISTORY			
REV	DESCRIPTION	DATE	APPROVED
1	ORIGINAL	7/8/2021	JB



UL LISTED, 200 AMP MAX. RATED

2/0 MARINE CABLE

CANBus

HEATER POWER

OPTOLoop®

DIN CONNECTOR

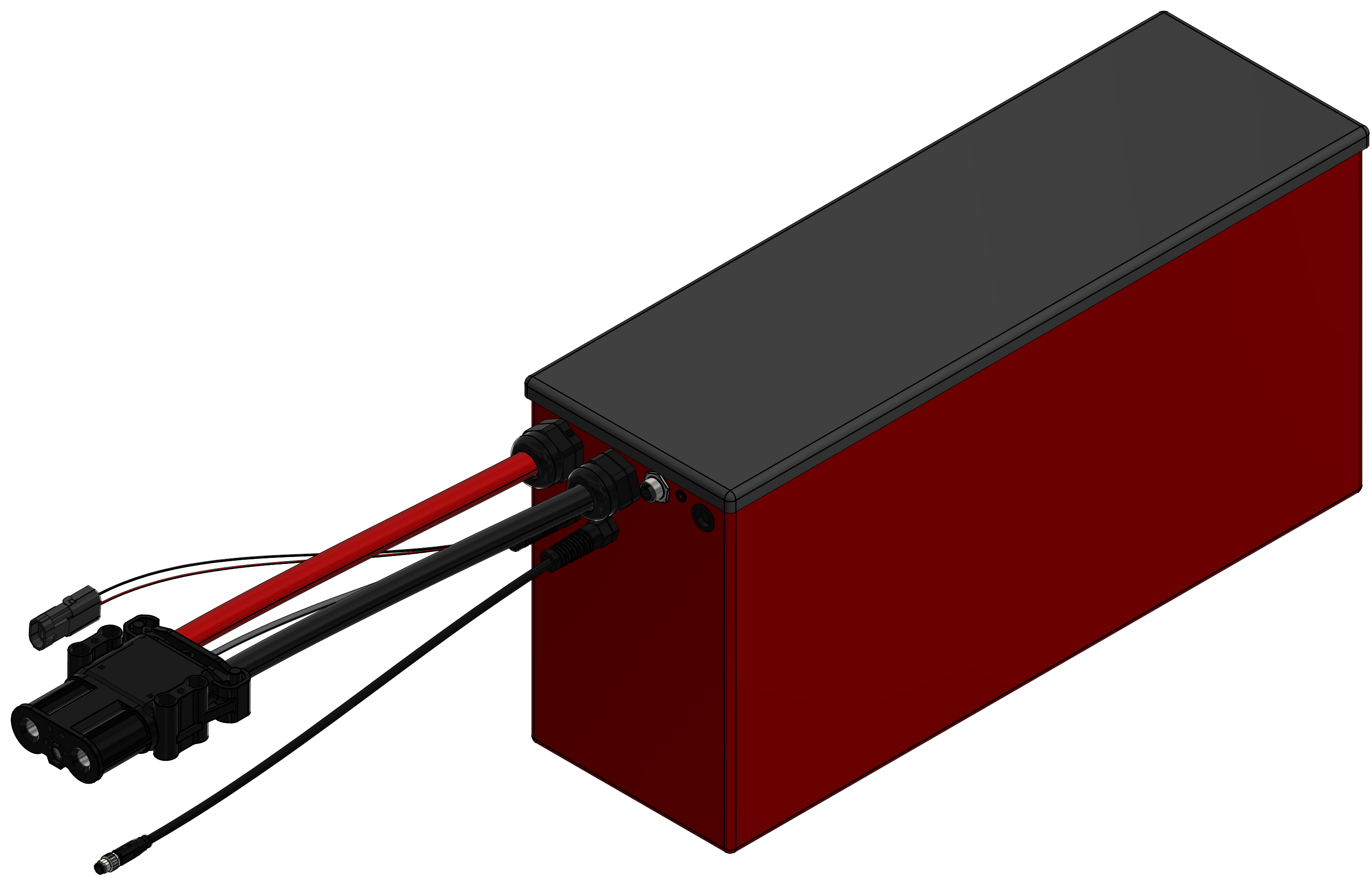
TEMP SENSOR

L.E.D.

VENT

<h1>Lithionics Battery</h1>		
DESCRIPTION GTX 12.8V 320Ah LITHIUM IRON PHOSPHATE BATTERY MODULE WITH HEATER KIT		
PROJECT GTX SERIES MODULES		
PART NO.	74-233 GTX12V320A-E2107-DIN-12HK	REV 1
THE INFORMATION CONTAINED IN THIS DRAWING IS THE SOLE PROPERTY OF LITHIONICS BATTERY. ANY REPRODUCTION IN PART OR AS A WHOLE WITHOUT THE WRITTEN PERMISSION OF LITHIONICS BATTERY IS PROHIBITED.		DO NOT SCALE SHEET 1 OF 2

UNLESS OTHERWISE SPECIFIED:
 DIMENSIONS ARE IN INCHES
 TOLERANCES:
 FRACTIONAL +/- 1/32
 ANGULAR +/- .25° BEND +/-
 TWO PLACE DECIMAL +/- .020
 THREE PLACE DECIMAL +/- .005
 Inspection Dimension:



8 7 6 5 4 3 2 1

D

D

C

C

B

B

A

A

8 7 6 5 4 3 2 1

UNLESS OTHERWISE SPECIFIED:
 DIMENSIONS ARE IN INCHES
 TOLERANCES:
 FRACTIONAL +/- 1/32
 ANGULAR +/- .25° BEND +/-
 TWO PLACE DECIMAL +/- .020
 THREE PLACE DECIMAL +/- .005
 Inspection Dimension:

<h1>Lithionics Battery</h1>		
DESCRIPTION GTX 12.8V 320Ah LITHIUM IRON PHOSPHATE BATTERY MODULE WITH HEATER KIT		
PROJECT GTX SERIES MODULES		
PART NO 74-233 GTX12V320A-E2107-DIN-12HK	REV 1	
THE INFORMATION CONTAINED IN THIS DRAWING IS THE SOLE PROPERTY OF LITHIONICS BATTERY. ANY REPRODUCTION IN PART OR AS A WHOLE WITHOUT THE WRITTEN PERMISSION OF LITHIONICS BATTERY IS PROHIBITED.		DO NOT SCALE SHEET 2 OF 2