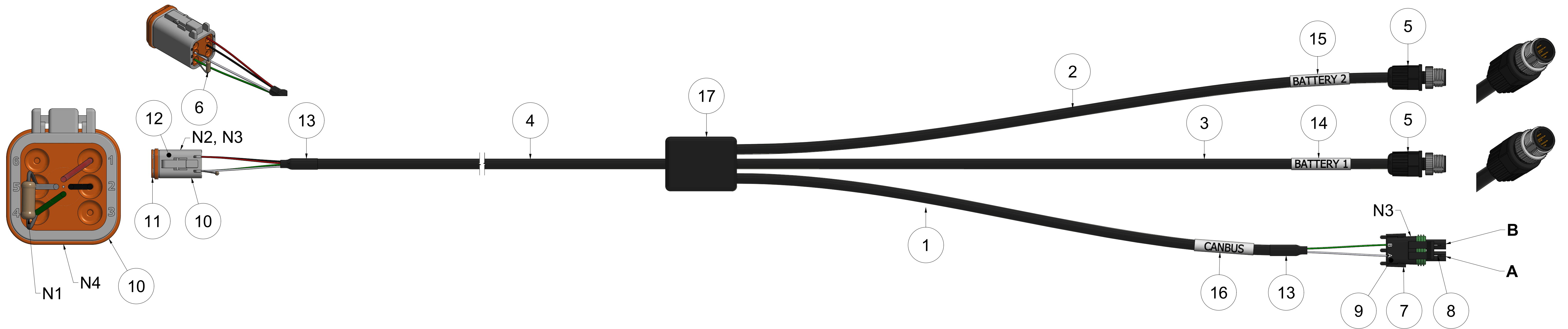


REVISION HISTORY			
REV	DESCRIPTION	DATE	APPROVED
B	RELEASED	3/23/2021	DB
B.1	UPDATE SCHEMATIC FOR CLARITY	3/29/2021	DB



PARTS LIST

ITEM	QTY	PART NUMBER	DESCRIPTION	MFR	MFR PART NUMBER
1	1		2 CONDUCTOR (1X TWISTED PAIR) 20AWG, PVC, TINNED UNSHIELDED CABLE		
2	1		2 CONDUCTOR (1X TWISTED PAIR) 20AWG, PVC, TINNED UNSHIELDED CABLE		
3	1		4 CONDUCTOR (2X TWISTED PAIR), 20AWG, PVC, TINNED UNSHIELDED CABLE		
4	1		4 CONDUCTOR (2X TWISTED PAIR), 20AWG, PVC, TINNED UNSHIELDED CABLE		
5	2	55-158	M12 A MALE 8 PIN	AMPHENOL	12-08BMMA-SL8001
6	1	55-164	120OHM 1/2W RESISTOR	OHMITE	OF121JE
7	1	80-252	2 WAY FEMALE WEATHERPACK CONNECTOR	APTIV	12015792
8	2	80-261	20 - 18 GAUGE, FEMALE WEATHERPACK TERMINAL	APTIV	12089188
9	2	80-266	20 - 18 GAUGE, WEATHERPACK SEAL GREEN	APTIV	15324982
10	1	80-523	DEUTSCH CONNECTOR; PLUG, 6 POS	TE	DT06-6S
11	1	80-524	DEUTSCH DT WEDGELOCK, W6S	TE	W6S
12	4	80-525-18	DEUTSCH SOCKET CONTACT 16-20AWG	TE	1062-16-0622
13	2	94-103-050-BLK	0.50" BLACK 3:1 EPS300 ADHESIVE HEAT SHRINK	3M	EPS300-050-BLK
14	1	LABEL-BATTERY1	WHITE HEAT-SHRINK CASING		
15	1	LABEL-BATTERY2	WHITE HEAT-SHRINK CASING		
16	1	LABEL-CANBUS	WHITE HEAT-SHRINK CASING		
17	1	OVERMOLD BODY	WITH STRAIN RELIEF FOR CABLES		

FOR REFERENCE ONLY. PRODUCTION HARNESS TO USE OVERMOLDED M12 CONNECTORS.

AMPHENOL AT06-6S APPROVED AS CROSS-PART.

Lithionics Battery

DESCRIPTION **DUAL M12 8PIN, CANBUS, ION GAUGE HARNESS, 24FT**

PROJECT **CONNECTORS**

PART NO. **75-523-288**

REV **B.1**

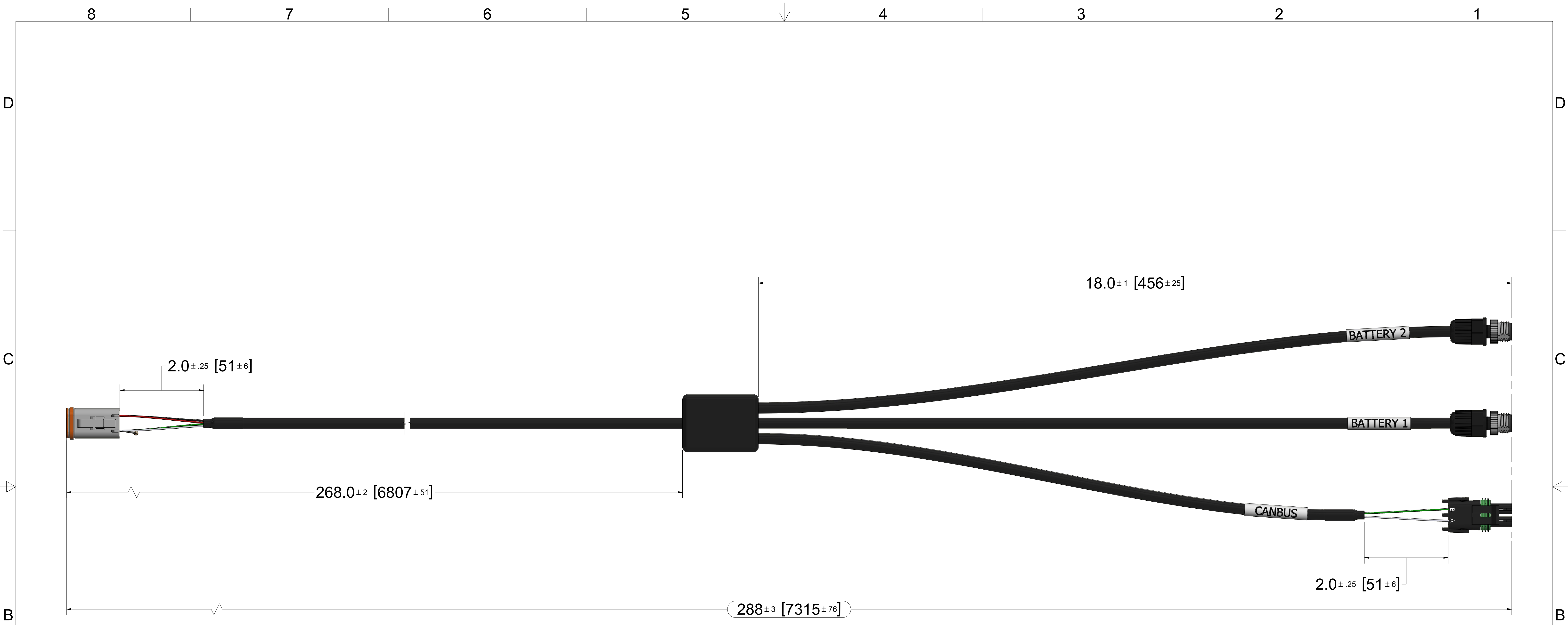
THE INFORMATION CONTAINED IN THIS DRAWING IS THE SOLE PROPERTY OF LITHIONICS BATTERY. ANY REPRODUCTION IN PART OR AS A WHOLE WITHOUT THE WRITTEN PERMISSION OF LITHIONICS BATTERY IS PROHIBITED.

DO NOT SCALE

SHEET 1 OF 3

NOTES	
NO.	DESCRIPTION
N1	CRIMP RESISTOR WITH DEUTSCH CONTACTS WIRES # 4 AND 5
N2	CRIMP WITH GENUINE DEUTSCH CRIMP TOOLING
N3	CRIMP PER IPC/WHMA-A-620
N4	PINS 1,2 AND 4,5 ARE TWISTED PAIRS
ALL	NO PART MAKE/MODEL SUBSTITUTIONS ALLOWED UNLESS APPROVED

UNLESS OTHERWISE SPECIFIED:
 DIMENSIONS ARE IN INCHES
 TOLERANCES:
 FRACTIONAL +/- 1/32
 ANGULAR +/- .25° BEND +/-
 TWO PLACE DECIMAL +/- .020
 THREE PLACE DECIMAL +/- .005
 Inspection Dimension:



ALL PARTS REQUIRE CERTIFICATE OF CONFORMANCE

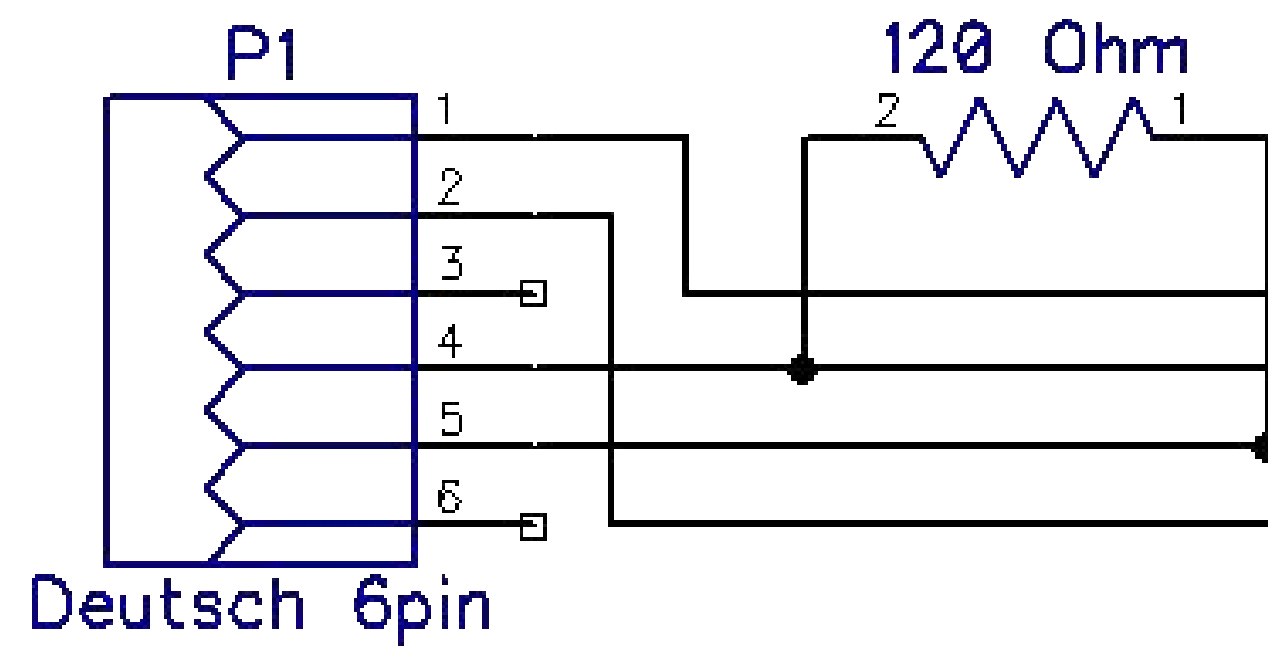
UNLESS OTHERWISE SPECIFIED:
 DIMENSIONS ARE IN INCHES
 TOLERANCES:
 FRACTIONAL +/- 1/32
 ANGULAR +/- .25° BEND +/-
 TWO PLACE DECIMAL +/- .020
 THREE PLACE DECIMAL +/- .005
 Inspection Dimension:

<h1>Lithionics Battery</h1>	
DESCRIPTION	DUAL M12 8PIN, CANBUS, ION GAUGE HARNESS, 24FT
PROJECT	CONNECTORS
PART NO.	75-523-288
THE INFORMATION CONTAINED IN THIS DRAWING IS THE SOLE PROPERTY OF LITHIONICS BATTERY. ANY REPRODUCTION IN PART OR AS A WHOLE WITHOUT THE WRITTEN PERMISSION OF LITHIONICS BATTERY IS PROHIBITED.	DO NOT SCALE
REV	B.1
SHEET 2 OF 3	

WIRE LIST

P1	PAIR	COLOR	P2	P3	P4
			┌1 └2	┌1 └2	
1	XX	BROWN	/	3	/
2		BLUE		6	
3	NC				
4	XX	ORANGE	4	4	B
5		YELLOW	5	5	A
6		NC			
			┌7 └8	┌7 └8	

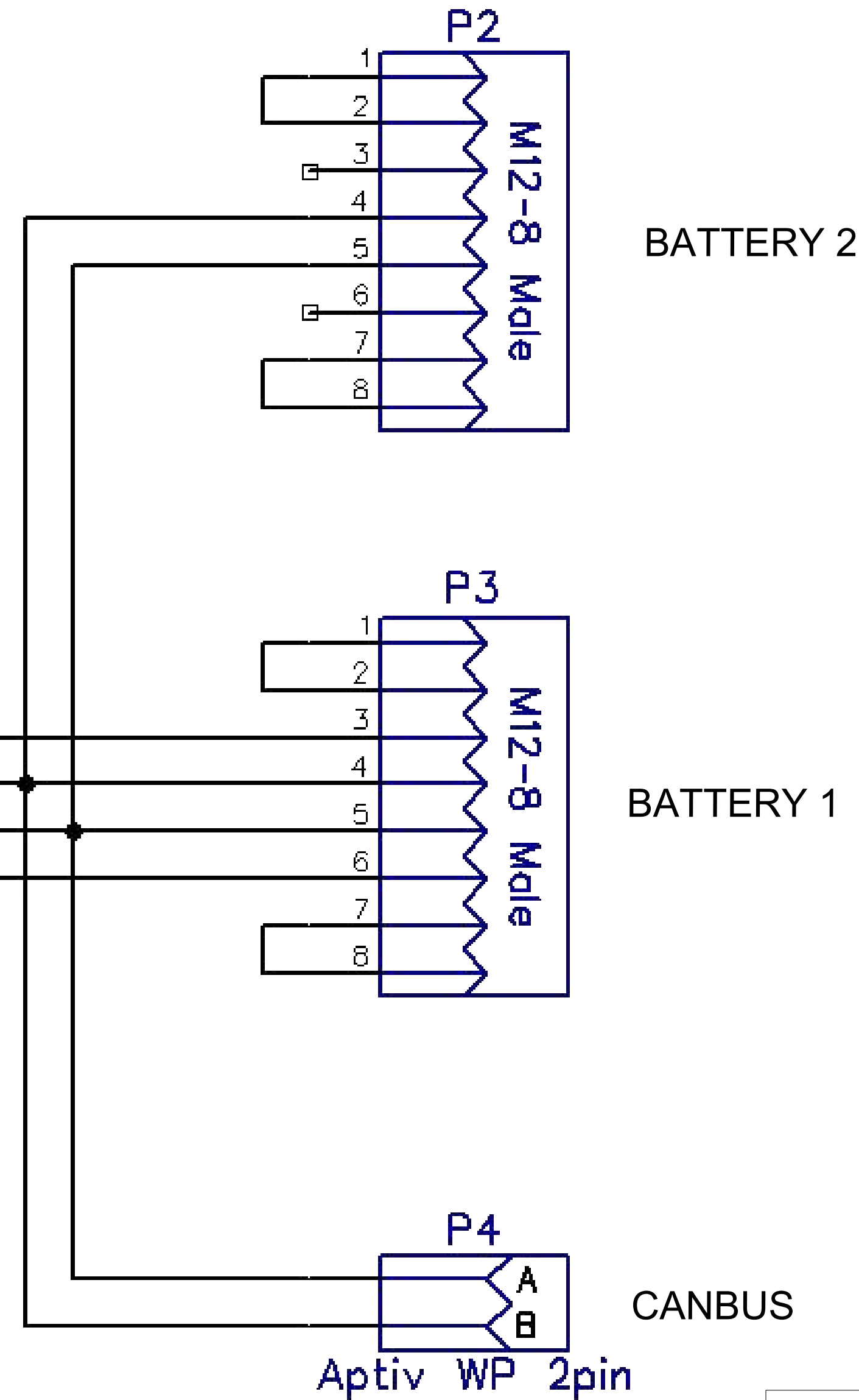
120 OHM R₀



Deutsch 6pin

M12-8 Pinout

1	OptoLoop1
2	OptoLoop1
3	PWR+(5-15V)
4	CAN-H
5	CAN-L
6	PWR-(CAN GND)
7	OptoLoop2
8	OptoLoop2



UNLESS OTHERWISE SPECIFIED:
 DIMENSIONS ARE IN INCHES
 TOLERANCES:
 FRACTIONAL +/- 1/32
 ANGULAR +/- .25° BEND +/-
 TWO PLACE DECIMAL +/- .020
 THREE PLACE DECIMAL +/- .005
 Inspection Dimension:

<h2 style="margin: 0;">Lithionics Battery</h2>		
DESCRIPTION	DUAL M12 8PIN, CANBUS, ION GAUGE HARNESS, 24FT	
PROJECT	CONNECTORS	
PART NO.	75-523-288	REV B.1
THE INFORMATION CONTAINED IN THIS DRAWING IS THE SOLE PROPERTY OF LITHIONICS BATTERY. ANY REPRODUCTION IN PART OR AS A WHOLE WITHOUT THE WRITTEN PERMISSION OF LITHIONICS BATTERY IS PROHIBITED.		DO NOT SCALE SHEET 3 OF 3