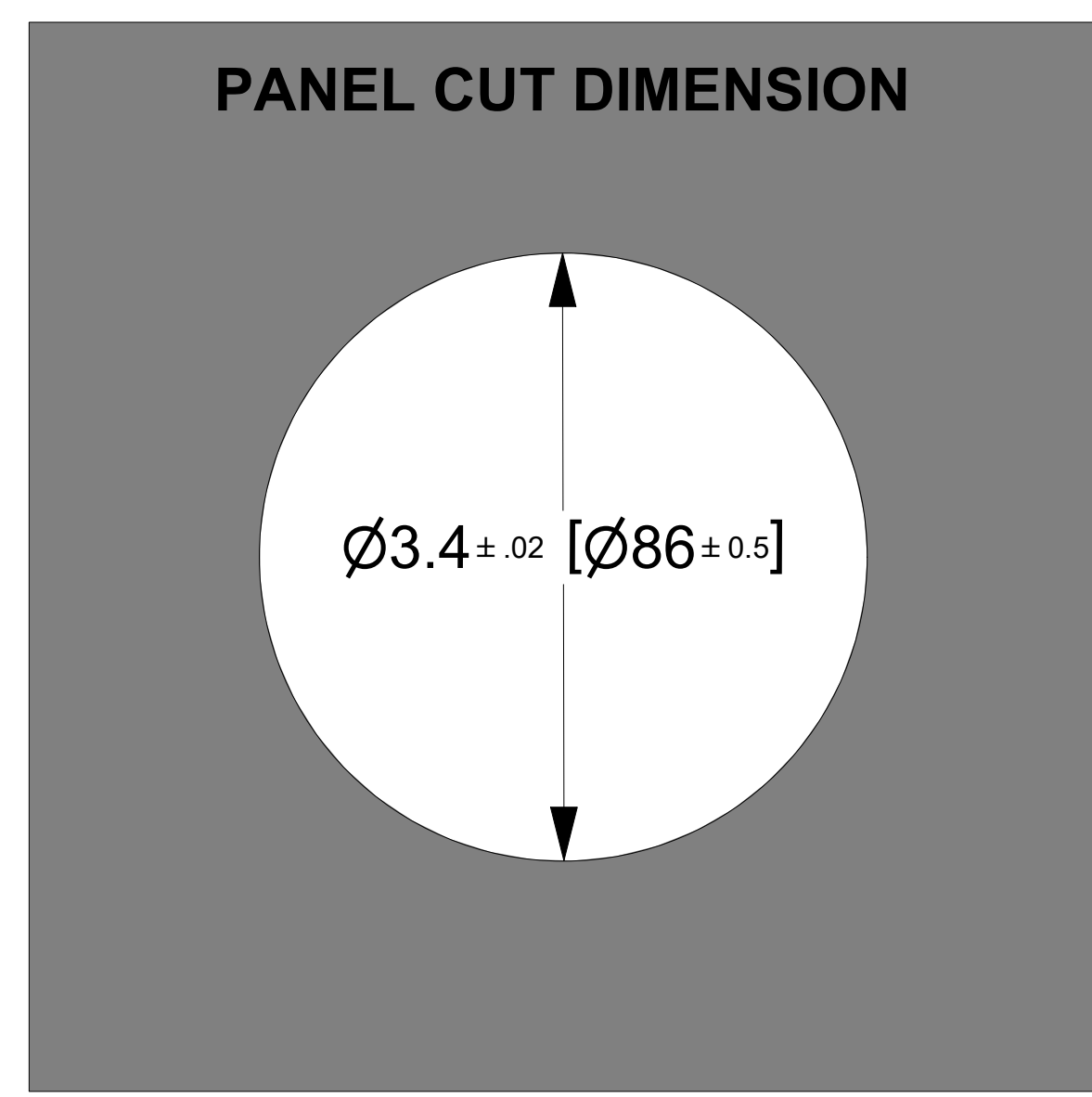
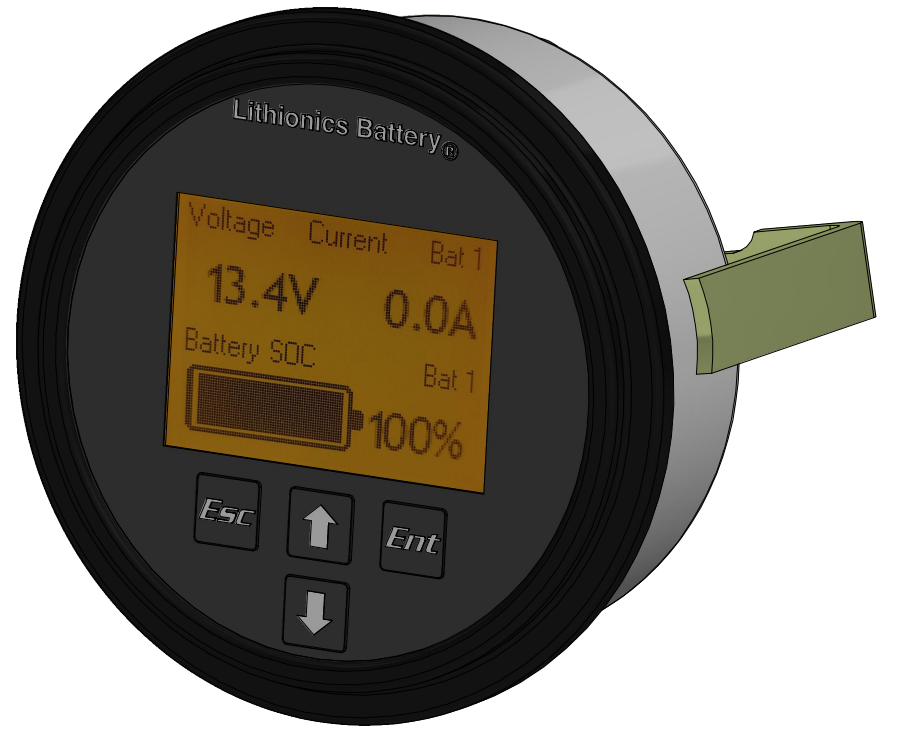
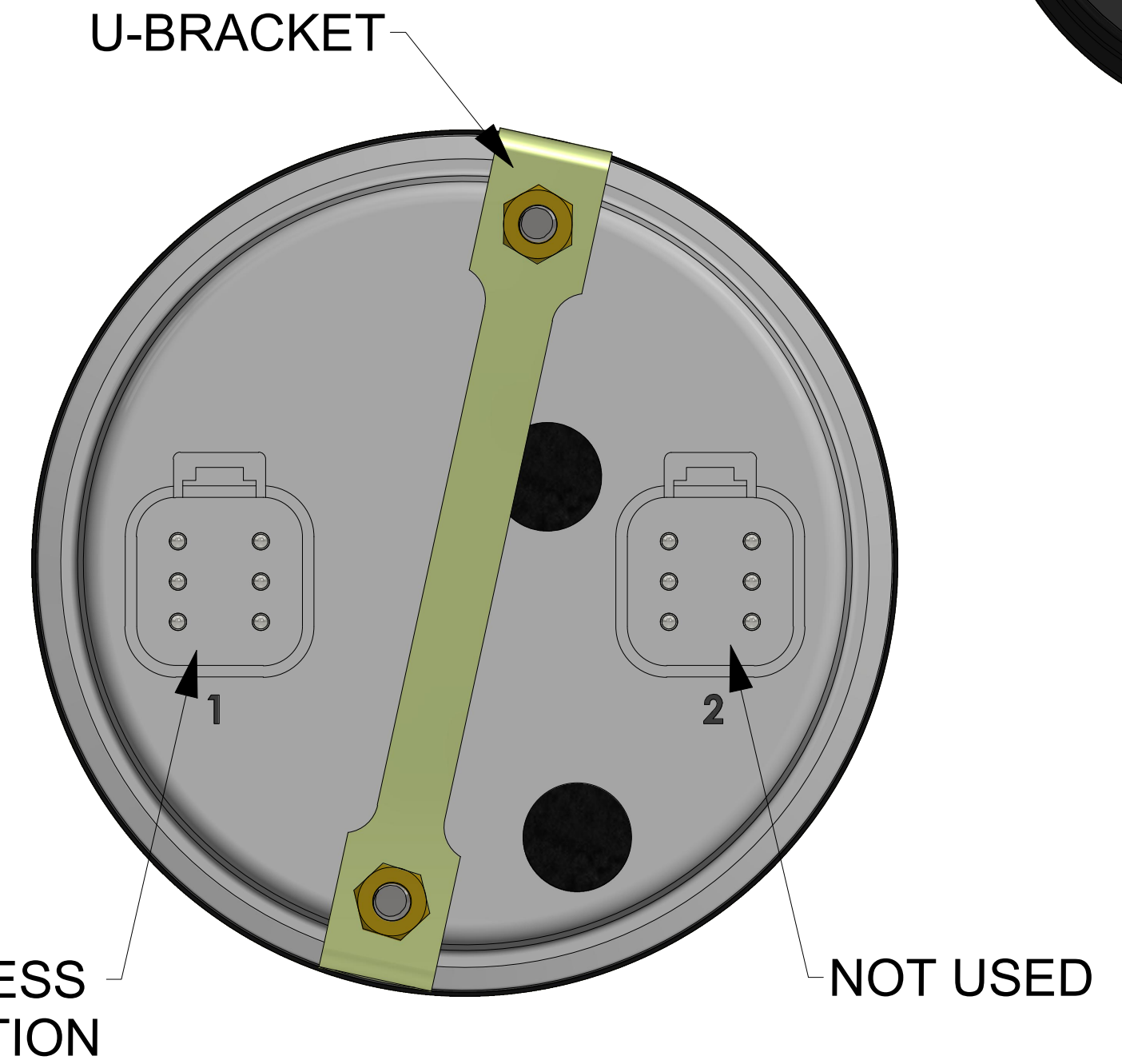
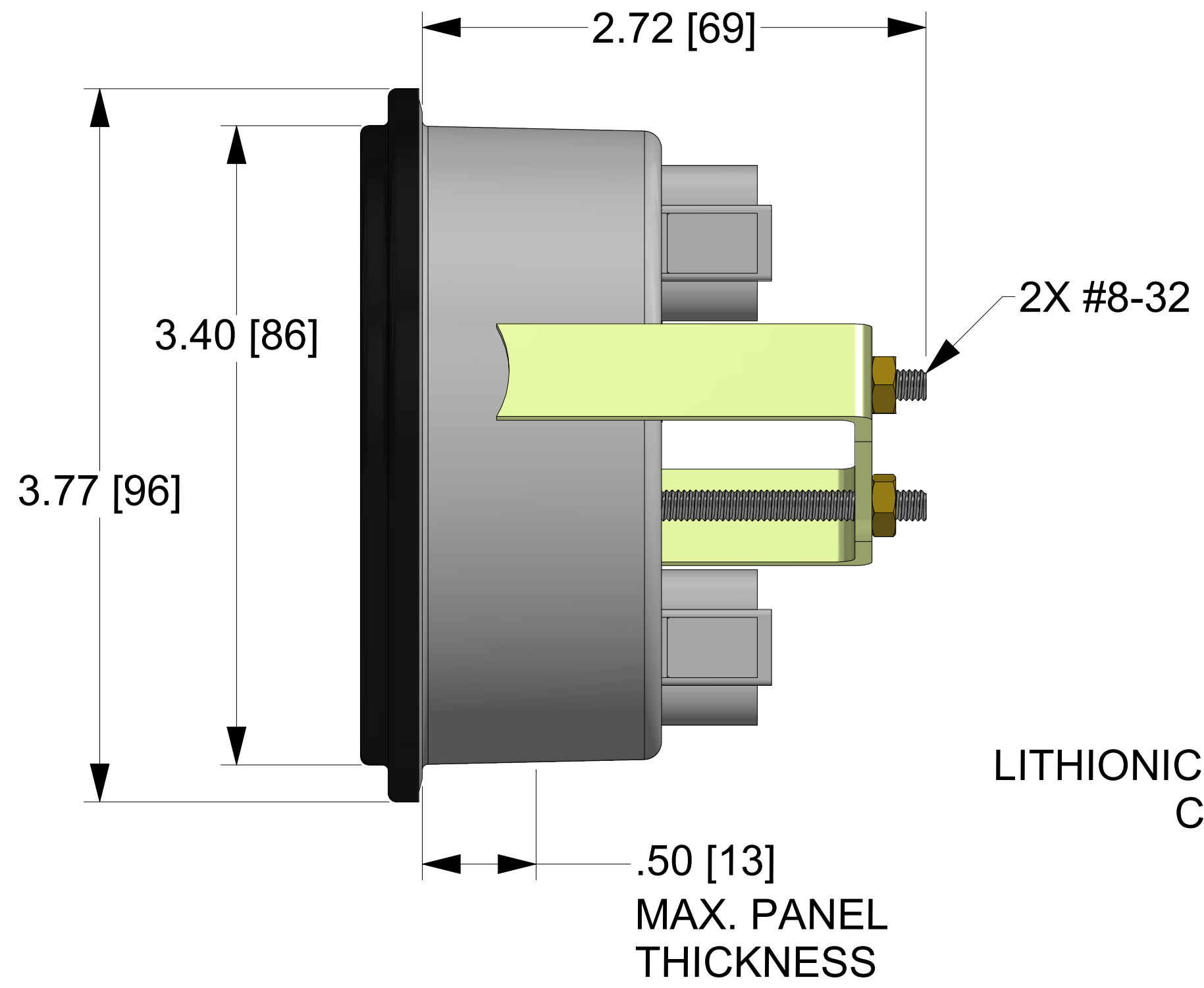


REVISION HISTORY			
REV	DESCRIPTION	DATE	APPROVED
A	RELEASED	4/12/2021	DB



ITEM	DESCRIPTION
1	WARNING LIGHT
2	ALARM LIGHT
3	LCD SCREEN
4	NAVIGATION BUTTONS

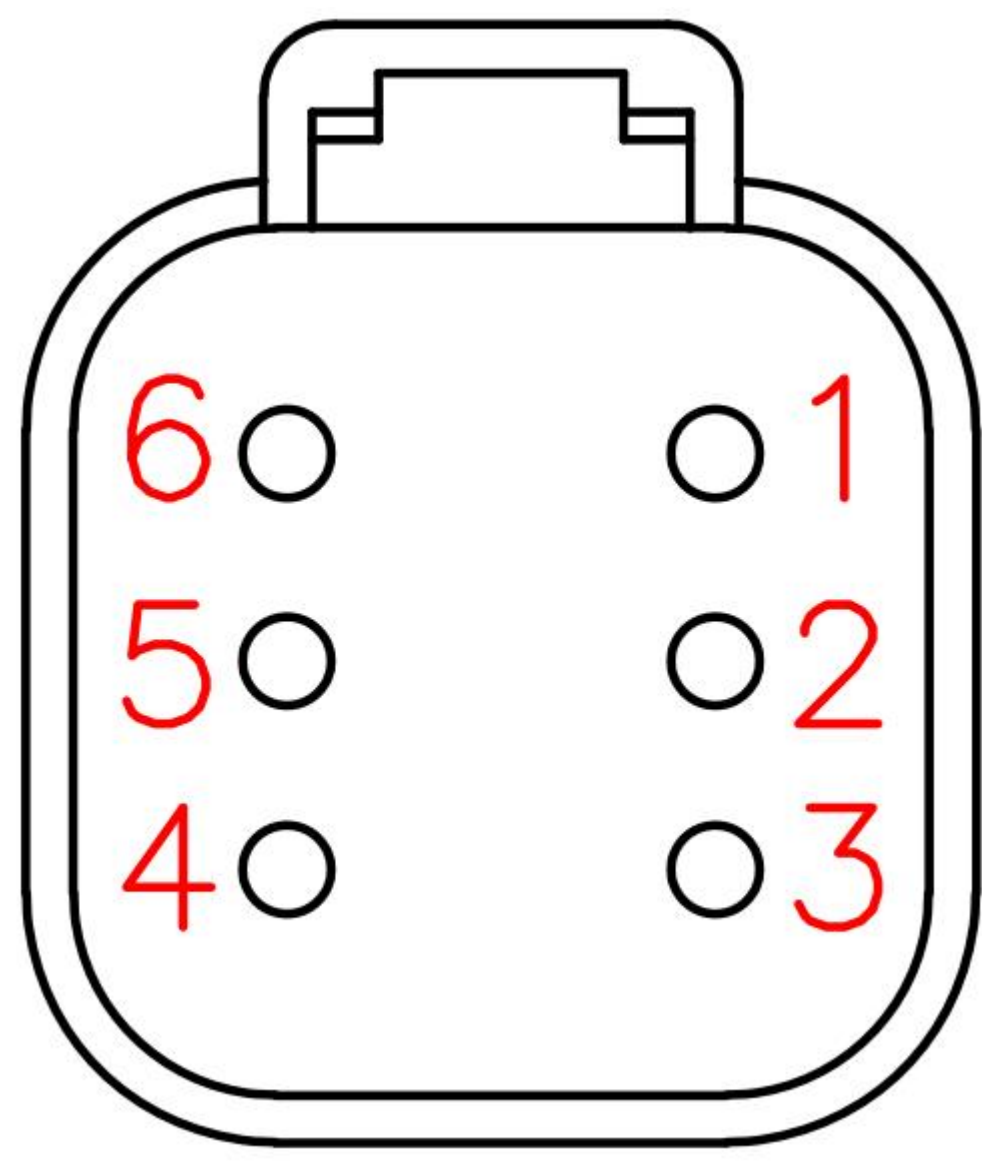


OPERATING TEMPERATURE: -22°F TO 185°F (-30°C TO 85°C)
 INGRESS PROTECTION: IP67
 #8 NUTS TORQUE: 4-6INCH-LB.

UNLESS OTHERWISE SPECIFIED:
 DIMENSIONS ARE IN INCHES
 TOLERANCES:
 FRACTIONAL +/- 1/32
 ANGULAR +/- .25° BEND +/-
 TWO PLACE DECIMAL +/- .020
 THREE PLACE DECIMAL +/- .005
 Inspection Dimension:

Lithionics Battery	
DESCRIPTION	IONGAGE
PROJECT	ACCESSORIES
PART NO.	51-160
REV	A
THE INFORMATION CONTAINED IN THIS DRAWING IS THE SOLE PROPERTY OF LITHIONICS BATTERY. ANY REPRODUCTION IN PART OR AS A WHOLE WITHOUT THE WRITTEN PERMISSION OF LITHIONICS BATTERY IS PROHIBITED.	DO NOT SCALE SHEET 1 OF 2

8 7 6 5 4 3 2 1



1

PIN	FUNCTION
1	+12V
2	GND
3	N/A
4	CAN HIGH
5	CAN LOW
6	N/A

Lithionics Battery

DESCRIPTION	IONGAGE	
PROJECT	ACCESSORIES	
PART NO.	51-160	REV A
<small>THE INFORMATION CONTAINED IN THIS DRAWING IS THE SOLE PROPERTY OF LITHIONICS BATTERY. ANY REPRODUCTION IN PART OR AS A WHOLE WITHOUT THE WRITTEN PERMISSION OF LITHIONICS BATTERY IS PROHIBITED.</small>		DO NOT SCALE
		SHEET 2 OF 2

UNLESS OTHERWISE SPECIFIED:
 DIMENSIONS ARE IN INCHES
 TOLERANCES:
 FRACTIONAL +/- 1/32
 ANGULAR +/- .25° BEND +/-
 TWO PLACE DECIMAL +/- .020
 THREE PLACE DECIMAL +/- .005
 Inspection Dimension:

8 7 6 5 4 3 2 1