

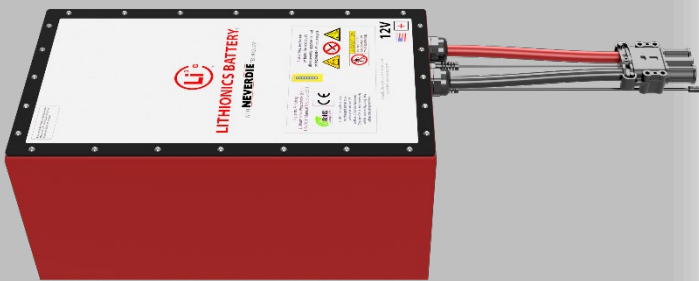
LITHIONICS BATTERY®

LITHIUM ION IRON PHOSPHATE BATTERY SYSTEMS



MODEL NUMBER:
GTX12V640A-F24-DIN-MODULE-UL

EXTERNAL BMS
VERSION



EXTERNAL BMS REQUIRED

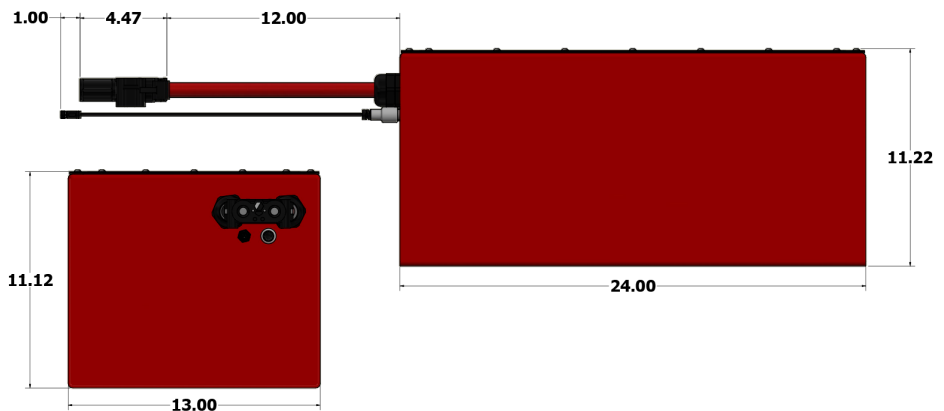
BMS SOLD SEPARATELY. SEE BMS DATA SHEET PROVIDED BY LITHIONICS BATTERY®.

| Item | Description | |
|---|--|--------------------------------|
| Model | GTX12V640A-F24-DIN-MODULE-UL | |
| Nominal Voltage | 12.8 | |
| Nominal Capacity | 640 | |
| Nominal Watt Hours | 8192 | |
| Internal Resistance | <300 milliohms | |
| Charge | | |
| Charging temperature range | 32F/0C to 131F/55C OR -4F/-20C with Heater Kit | |
| Charge voltage | 14.6 | |
| Recommended float charge voltage(for standby use) | 13.4 | |
| Recommended max charge current* | 300 | |
| Allowed max charge current* | 400 | |
| Discharge | | |
| Discharging temperature range | -4F/-20C to 131F/55C | |
| Operating Voltage Range | 11.6 to 13.4 | |
| Recommended max discharge current* | 300 | |
| Max discharge current* | 400 | |
| Pulse discharge current | 6400 | |
| Discharge cut-off voltage | NeverDie® Power Reserve @ 12.00 Low-Voltage Cut-Off @ 11.60 | |
| Mechanical | | |
| Dimensions | Length 24.0" Width 13.0" Height 11.1" | |
| Weight | Approx. 144lbs (65.3kg) | |
| Storage | | |
| Storage Temperature & Humidity Range | < 1 Month | -4~95°F (-20~35°C), 45~75%RH |
| | < 3 Months | 14~86°F (-10~30°C), 45~75%RH |
| | Recommended storage | 59~95°F (15~35°C), 45%RH~75%RH |
| Long Term Storage | If the battery needs to be stored for > 3 months the voltage should be 13.2V (50%SOC), and stored at the recommended storage specifications shown above. Additionally, the battery needs at least one charge & discharge cycle every six months. | |
| Self-discharge rate | Residual capacity | ≤3% per month; ≤15% per year |
| | Reversible capacity | ≤1.5%per month; ≤8% per year |

* Maximum charging and discharging rates apply depending upon the ambient temperature and duty cycle of the system. UL1973 tests of maximum charge and discharge current were performed at 25°C/77°F



NEVERDIE®



ENERGY

640 AMP HOURS

PULSE AMPS: 6300 (1 SEC)

8192 WATT-HOURS

WARNING

1. LITHIUM BATTERIES ARE NOT DESIGNED FOR CHARGING IN SUB-FREEZING TEMPERATURES. CONTACT LITHIONICS BATTERY® FOR DETAILS ON OUR COLD WEATHER PACKAGE.
2. INSTALLATION: IT IS RECOMMENDED THAT MODULES BE INSTALLED BLACK LID UP.

NOTE: CONTACT LITHIONICS BATTERY® FOR A USER INSTALLATION GUIDE & STORAGE PROCEDURES. FOLLOW THE GUIDE TO ENSURE FITNESS OF USE & WARRANTY.

**12V
GTX
SERIES**