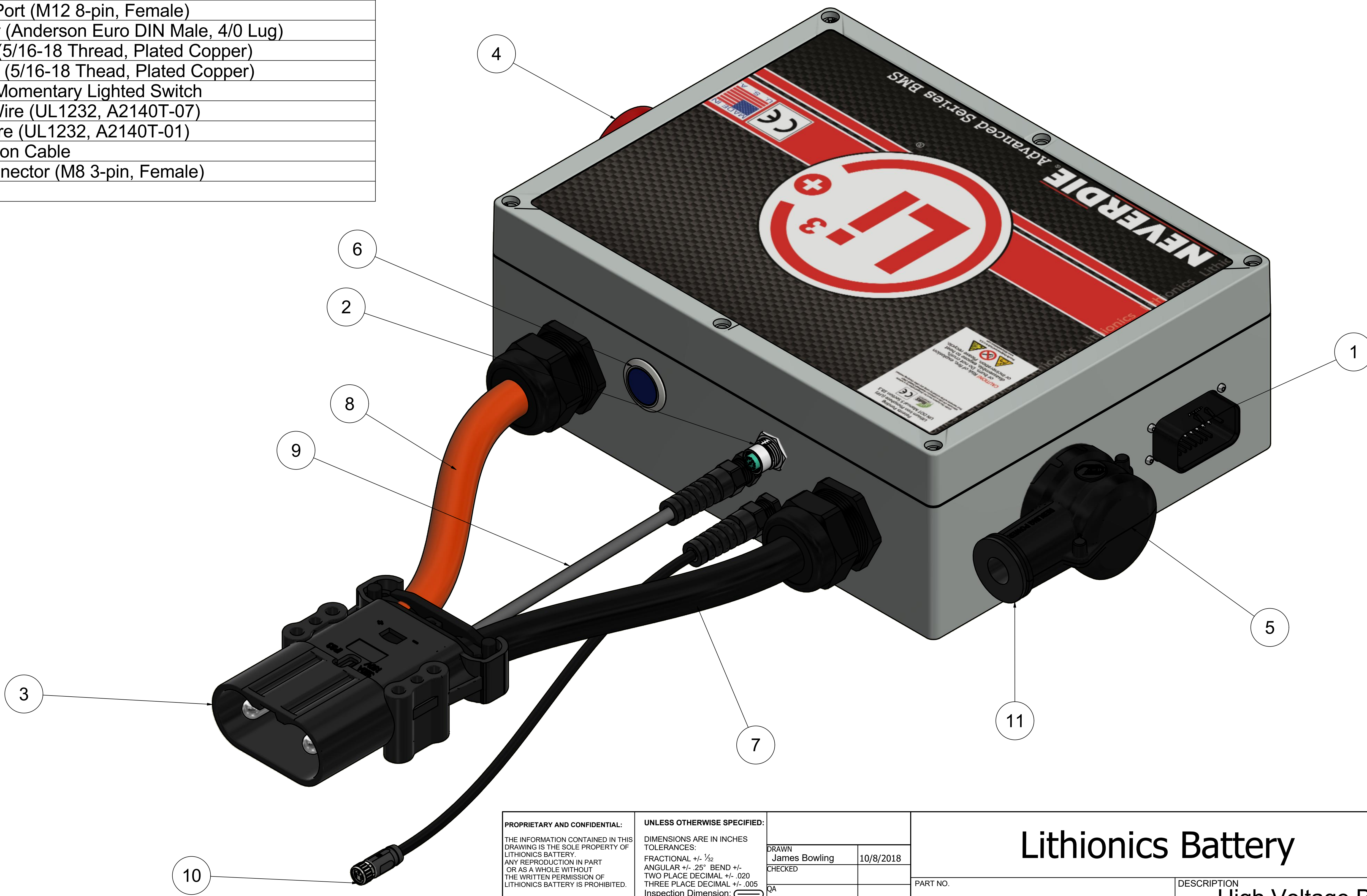


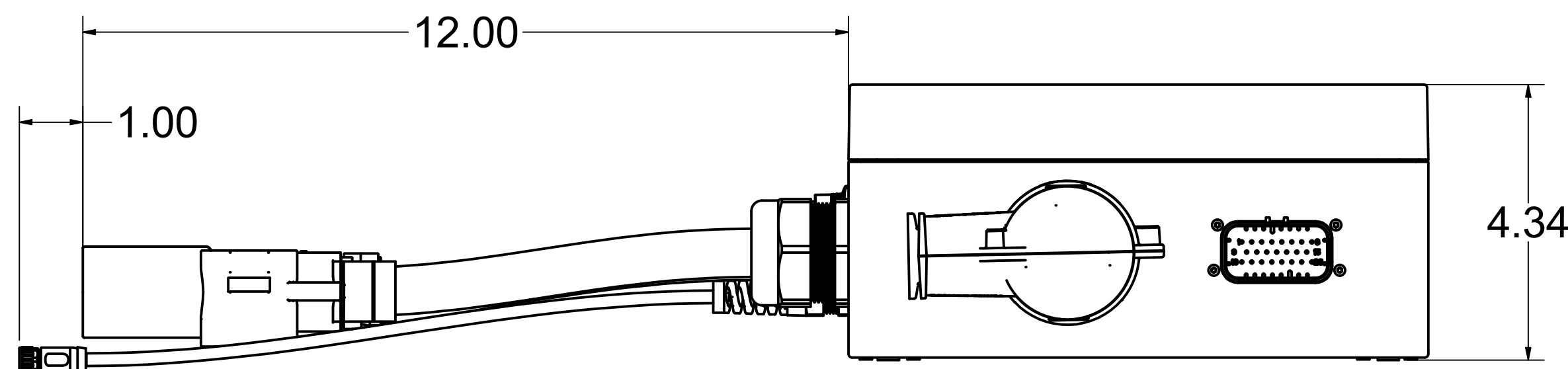
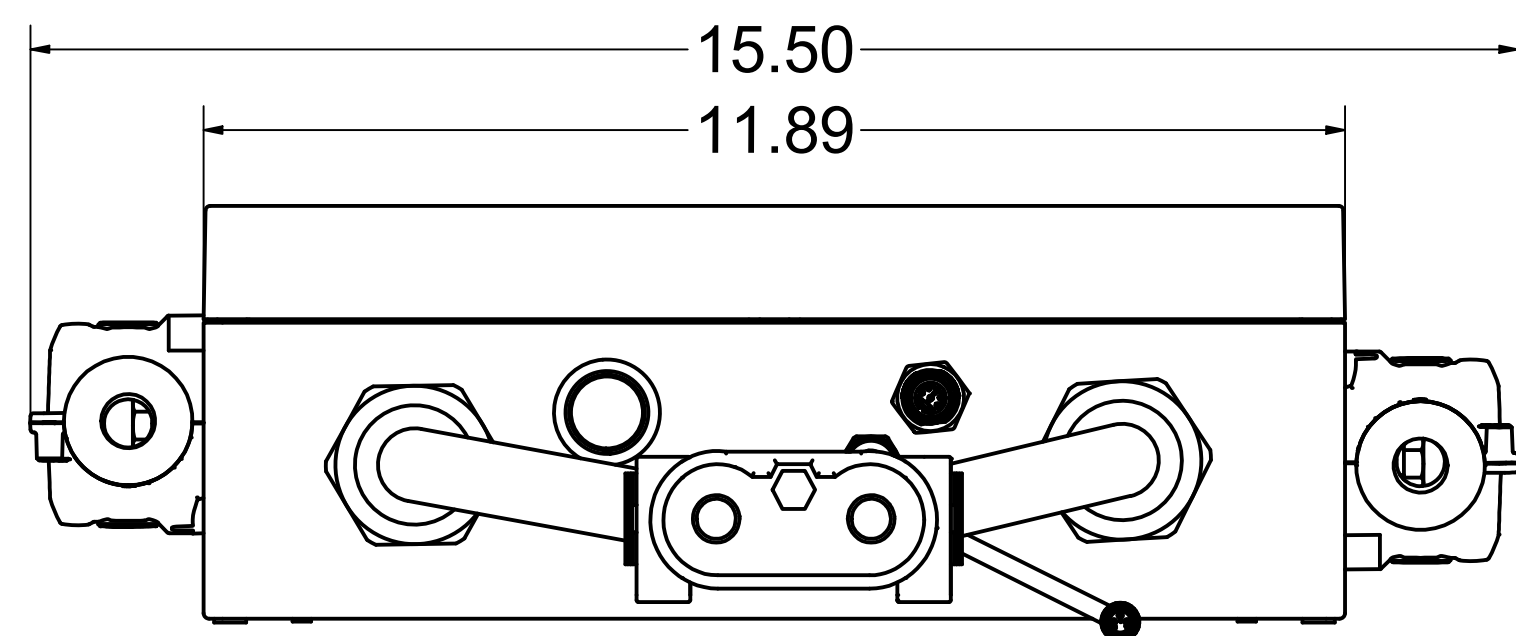
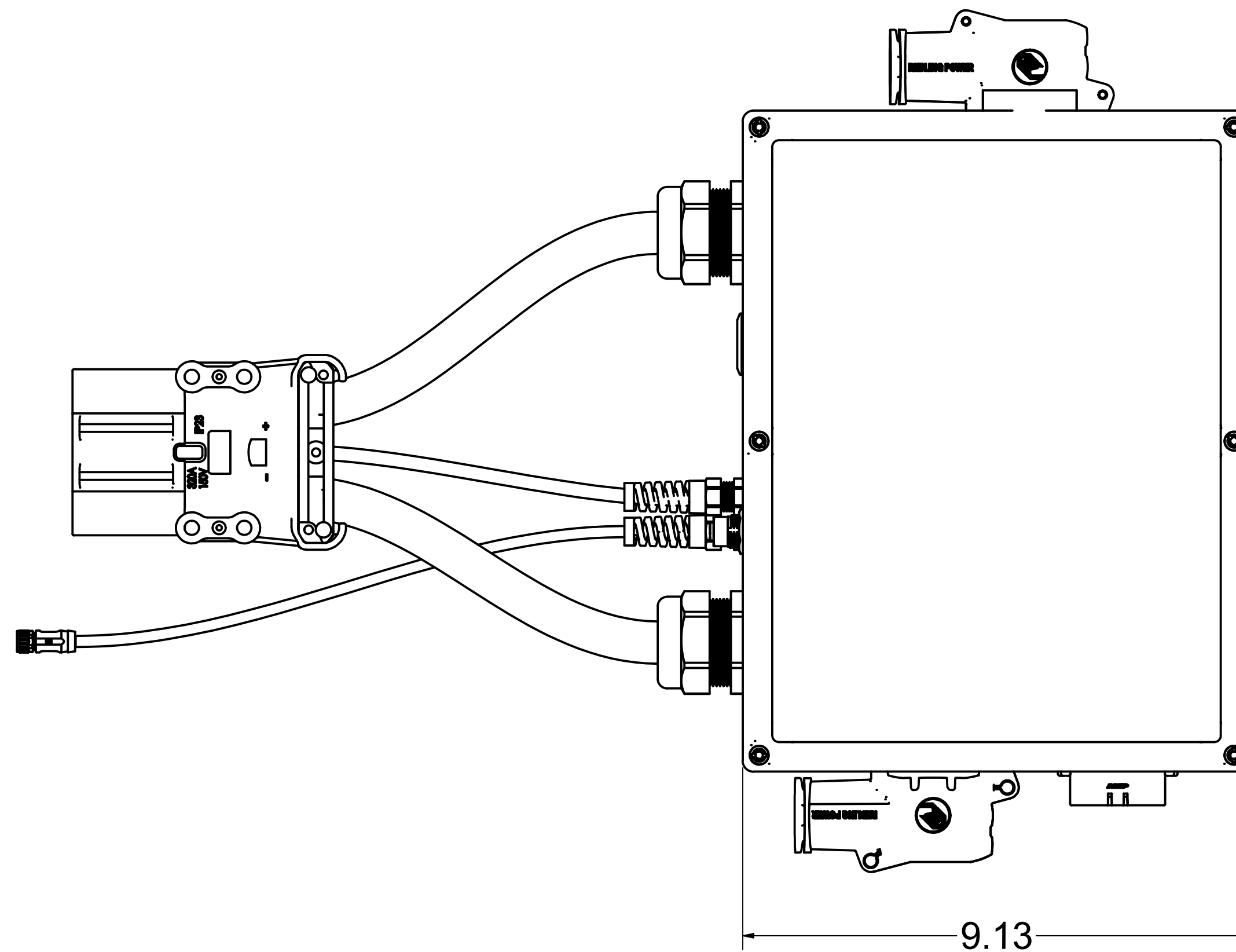
PARTS LIST

ITEM	QTY	DESCRIPTION
1	1	BMS I/O Connector (23 Pin AMPSEAL)
2	1	State of Charge Display Port (M12 8-pin, Female)
3	1	Module Power Connector (Anderson Euro DIN Male, 4/0 Lug)
4	1	Positive Power Terminal (5/16-18 Thread, Plated Copper)
5	1	Negative Power Terminal (5/16-18 Thread, Plated Copper)
6	1	IDEC CW4LM1E10Q3S Momentary Lighted Switch
7	1	4/0AWG Black X-FLEX Wire (UL1232, A2140T-07)
8	1	4/0AWG Red X-FLEX Wire (UL1232, A2140T-01)
9	1	OptoLoop® Communication Cable
10	1	Temperature Sensor Connector (M8 3-pin, Female)
11	1	Rebling Terminal Boot



<b>PROPRIETARY AND CONFIDENTIAL:</b> THE INFORMATION CONTAINED IN THIS DRAWING IS THE SOLE PROPERTY OF LITHIONICS BATTERY. ANY REPRODUCTION IN PART OR AS A WHOLE WITHOUT THE WRITTEN PERMISSION OF LITHIONICS BATTERY IS PROHIBITED.	<b>UNLESS OTHERWISE SPECIFIED:</b> DIMENSIONS ARE IN INCHES TOLERANCES: FRACTIONAL +/- 1/32 ANGULAR +/- .25° BEND +/- TWO PLACE DECIMAL +/- .020 THREE PLACE DECIMAL +/- .005 Inspection Dimension:	DRAWN James Bowling 10/8/2018	<h1 style="text-align: center;">Lithionics Battery</h1>		
		CHECKED			
		QA	PART NO. AP036	DESCRIPTION High Voltage BMS 102V-512 Volts	
		MFG	APPROVED		
		DWG NO.	SHEET 1 OF 3	REV 1	

8 7 6 5 4 3 2 1



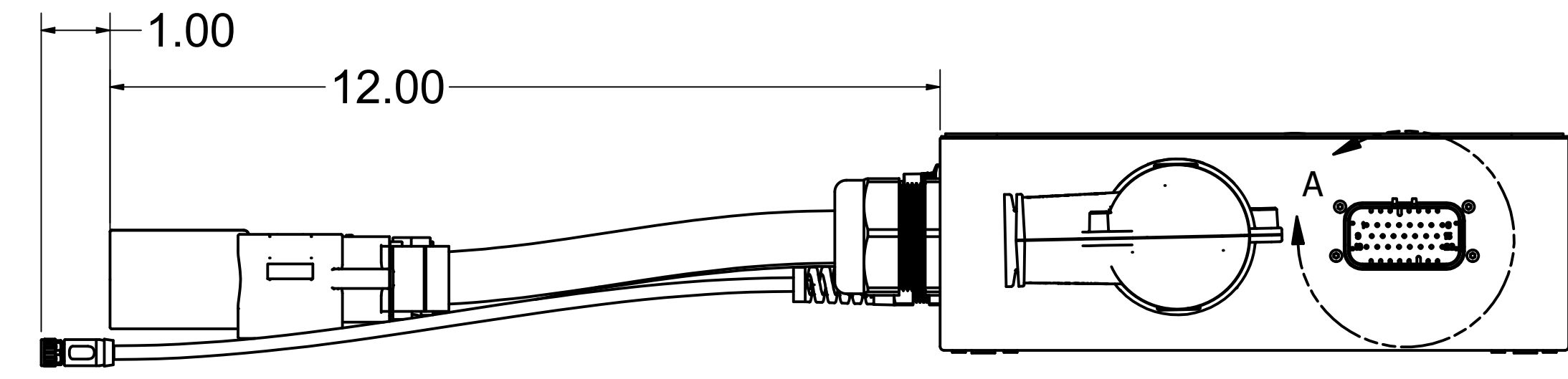
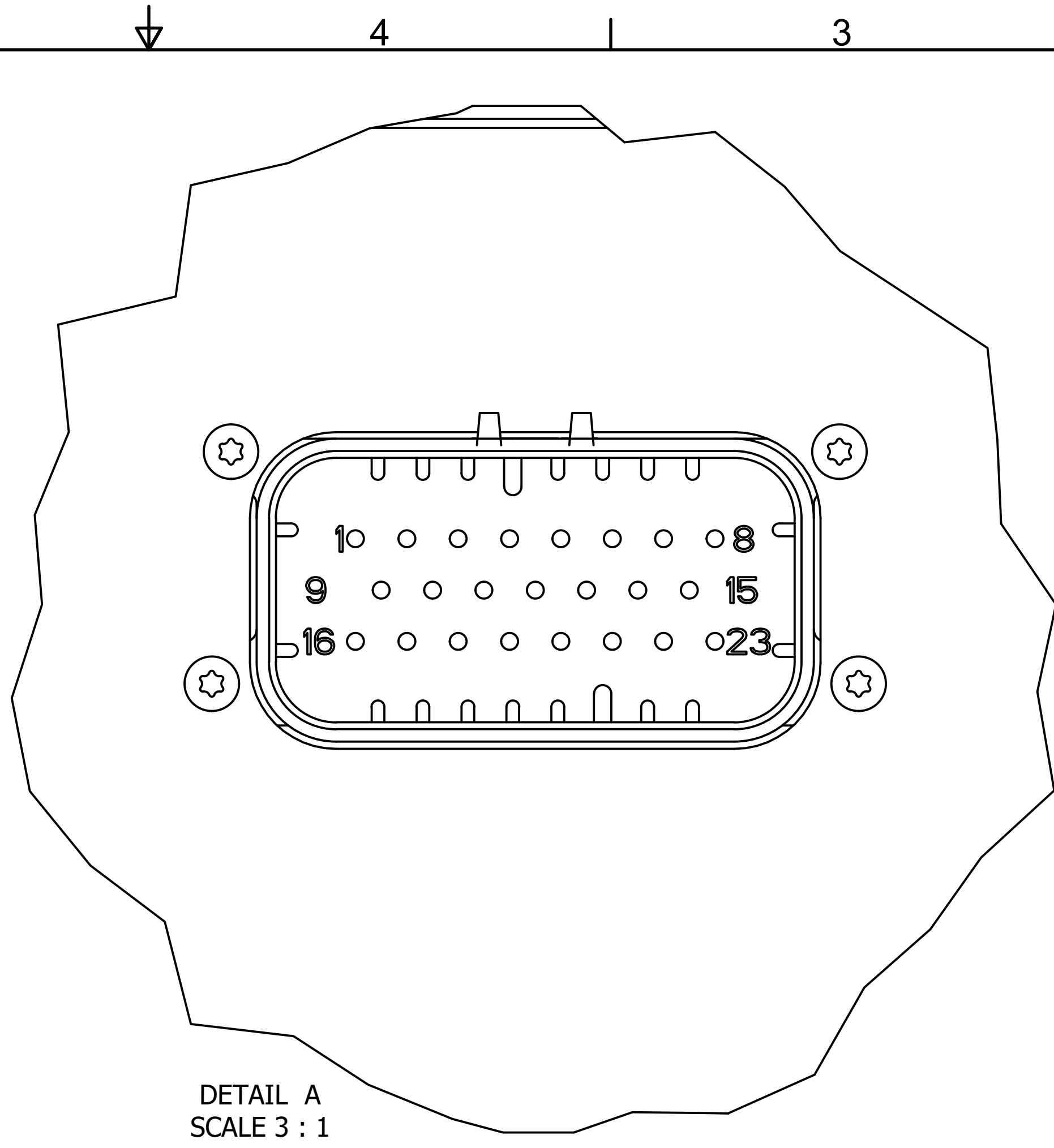
<p><b>PROPRIETARY AND CONFIDENTIAL:</b> THE INFORMATION CONTAINED IN THIS DRAWING IS THE SOLE PROPERTY OF LITHIONICS BATTERY. ANY REPRODUCTION IN PART OR AS A WHOLE WITHOUT THE WRITTEN PERMISSION OF LITHIONICS BATTERY IS PROHIBITED.</p>	<p><b>UNLESS OTHERWISE SPECIFIED:</b> DIMENSIONS ARE IN INCHES TOLERANCES: FRACTIONAL +/- 1/32 ANGULAR +/- .25° BEND +/- TWO PLACE DECIMAL +/- .020 THREE PLACE DECIMAL +/- .005 Inspection Dimension: </p>	<p>DRAWN James Bowling 10/8/2018</p>	<h1>Lithionics Battery</h1>		
		<p>CHECKED</p>			
		<p>QA</p>	<p>PART NO. AP036</p>	<p>DESCRIPTION <b>High Voltage BMS</b> <b>102V-512 Volts</b></p>	
		<p>MFG</p>			
		<p>APPROVED</p>	<p>DWG NO.</p>	<p>SHEET 2 OF 3</p>	

8 7 6 5 4 4 3 2 1

BMS I/O Connector Functions		
#	DEFAULT FUNCTION	ALTERNATE FUNCTION*
1	Alternator Field Control Circuit (FCC)	
2	Automatic Generator Start/Restart (AGSR)	
3	Precharge Control	Heater Power Supply
4	External Power Input	
5	CANbus	
6	Serial UART	Serial RS232
7	Contactor State LED Indicator	TRI-Color LED Pod
8	Battery Low LED Indicator	TRI-Color LED Pod
9	On/Off/Reset Button	
10	High Voltage Cutoff/Charger Interlock (HVC)	
11	Alarm	
12	Battery Percent 0-5V (Fuel)	
13	E-Stop Function	

\*Alternate functions must be specified at time of ordering.  
 \*Alternate functions replace default functions.

BMS I/O Connector Function's Pinouts		
PIN	PIN DEFINITION	ALTERNATE PIN DEFINITION*
1	FCC wire 1	
2	AGSR wire 2	
3	AGSR wire 1	
4	Precharge/Alarm output +12V supply positive	
5	Precharge output negative wire	Heater Power Supply Positive input
6	Alarm output negative wire	
7	External Power Input positive 12-24V	
8	Common Ground for all non-isolated circuits	
9	FCC wire 2	
10	Isolated CANBus High Signal	
11	Isolated Serial UART TX Signal	Isolated Serial RS232 TX signal
12	Analog 0-5V Fuel Output Signal	
13	Contactor LED Signal	Tri-Color LED Pod-Green signal
14	Charger relay wire 2	
15	Reset Button return wire	
16	Isolated CANBus/Serial 5V Power	Isolated CANbus/Serial 5V power
17	Isolated CANBus low Signal	
18	Isolated Serial UART RX Signal	Isolated Serial RS232 RX signal
19	Isolated CANBus/Serial ground	Isolated CANbus/Serial ground
20	Battery Low LED Signal	Tri-Color LED Pod - Red Signal
21	E-Stop, Switched N.C.	
22	Charger relay wire 1	
23	Reset Button out wire	



<b>PROPRIETARY AND CONFIDENTIAL:</b> THE INFORMATION CONTAINED IN THIS DRAWING IS THE SOLE PROPERTY OF LITHIONICS BATTERY. ANY REPRODUCTION IN PART OR AS A WHOLE WITHOUT THE WRITTEN PERMISSION OF LITHIONICS BATTERY IS PROHIBITED.	<b>UNLESS OTHERWISE SPECIFIED:</b> DIMENSIONS ARE IN INCHES TOLERANCES: FRACTIONAL +/- 1/32 ANGULAR +/- .25° BEND +/- TWO PLACE DECIMAL +/- .020 THREE PLACE DECIMAL +/- .005 Inspection Dimension:	DRAWN James Bowling 10/8/2018	<b>Lithionics Battery</b>  PART NO. <b>AP036</b>  DESCRIPTION <b>High Voltage BMS          102V-512 Volts</b>
		CHECKED	
		QA	
		MFG	
APPROVED			REV 1