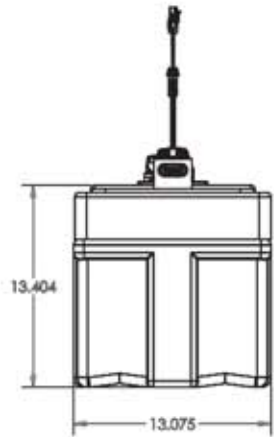
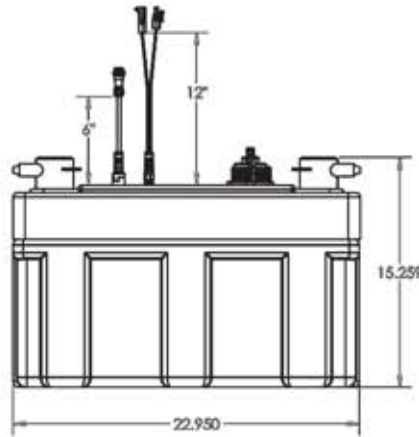


## PART NUMBER: GT92.8V34A-8DR-MODULE



**GT92.8V34A-8DR-MODULE Deep Cycle+Engine Start Lithium Battery**  
Battery Specification

Attribute	Value	Value
Nominal True Capacity	34	Amp Hours
Charging Voltage	103 to 105.9	Volts
Nominal Voltage	92.8	Volts
Cut-off Discharge Voltage	87.0	Volts
Reserve Capacity	81.6	Minutes
Max Discharge Peak Current (2secs)	750	Amps
Max Discharge Current (Continuous)	150	Amps
Max Continuous Charge Current	100	Amps
Internal Impedance	< 8	Milliohms
Cycle Life @ 100% Depth of Discharge	2000-3000	
Dimensions (L x W x H)	23.0 x 13.0 x 13.5	Inches
Weight	75 (34)	Pounds (kg)
Safety Leader U.N. International Approved	U.N. D.O.T. 38.3	Lithium
Charge Temperature	32 to 113	Fahrenheit
Discharge Temperature	-4 to 140	Fahrenheit
Storage Period (1 month)	-4 to 113	Fahrenheit
Storage Period (6 month)	-4 to 77	Fahrenheit
Battery Terminals (Max Torque 180in-lbs)	3/8"	Terminal
Lithionics NeverDie Feature	YES	External
Active Shunt Cell Balancing	YES	
Wireless NeverDie Remote	YES	Optional

**WATTS OF ENERGY**

**3162 WATT-HOURS**

**75.0 LBS**

**34.0 KG**

NOTE: Contact Lithionics Battery for a user installation Guide. Follow the guide to ensure fitness of use and warranty.

**Warning:**

- Lithium batteries are not designed for under-hood installations adjacent to a radiant heat source, such as an engine. Lithium batteries are not designed for use in sub-freezing temperatures. See USER GUIDE for acceptable temperature ranges. Contact Lithionics Battery for details on cold weather package.
- Industry standards have not been developed for ratings such as lithium cranking amperage equivalents to lead-acid cranking amperage ratings. It is the responsibility of the end-user to select the correct sized battery for his/her application. Lithionics Battery offers a wide range of lithium cells to assist in the customer's selection of the battery size.
- Installation: It is recommended that batteries be installed terminals facing up. Terminal must never face down (upside-down installation). Contact Lithionics Battery for approval of alternative installation orientations that maybe possible in your application.

**External NeverDie Features (Required to Function Properly)**

- Reserve Capacity (Low Voltage Cutoff @ 87V)
- Pushbutton Storage Option
- Active Shunt Cell Balancing
- Individual Cell Monitoring (Temp & Voltage)
- Charge Enable (90.6V)
- Overtemp Protection (Enabled @ 140F/60C)
- Over-Discharge Protection (Dead Voltage Lockout @ 72.5V)
- Over-Charge Protection (High Voltage Cutoff @ 113.1V)
- Short Circuit Protection

**EXTERNAL BMS REQUIRED**

