

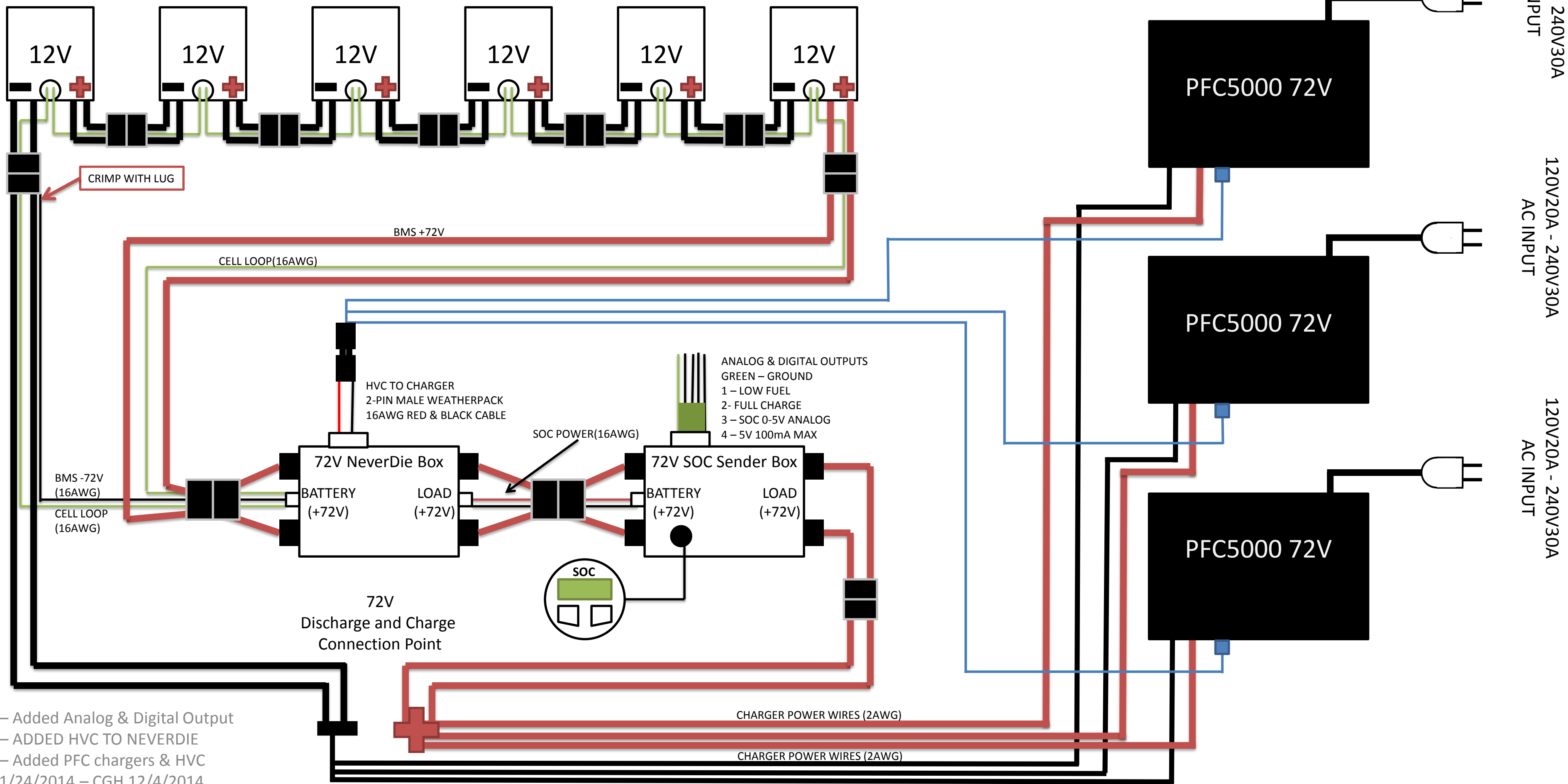


Lithionics Battery



ALL CABLES ARE MIN. 4/0AWG
UNLESS MARKED OTHERWISE

72V NeverDie-SOC Battery System-DIN



REV1 – Added Analog & Digital Output
 REV2 – ADDED HVC TO NEVERDIE
 REV3 – Added PFC chargers & HVC
 NM-11/24/2014 – CGH 12/4/2014