

2/18/2013



# Lithionics Battery

INSTALLATION  
DOCUMENT

24V RV House Battery System  
Positive Side Switching



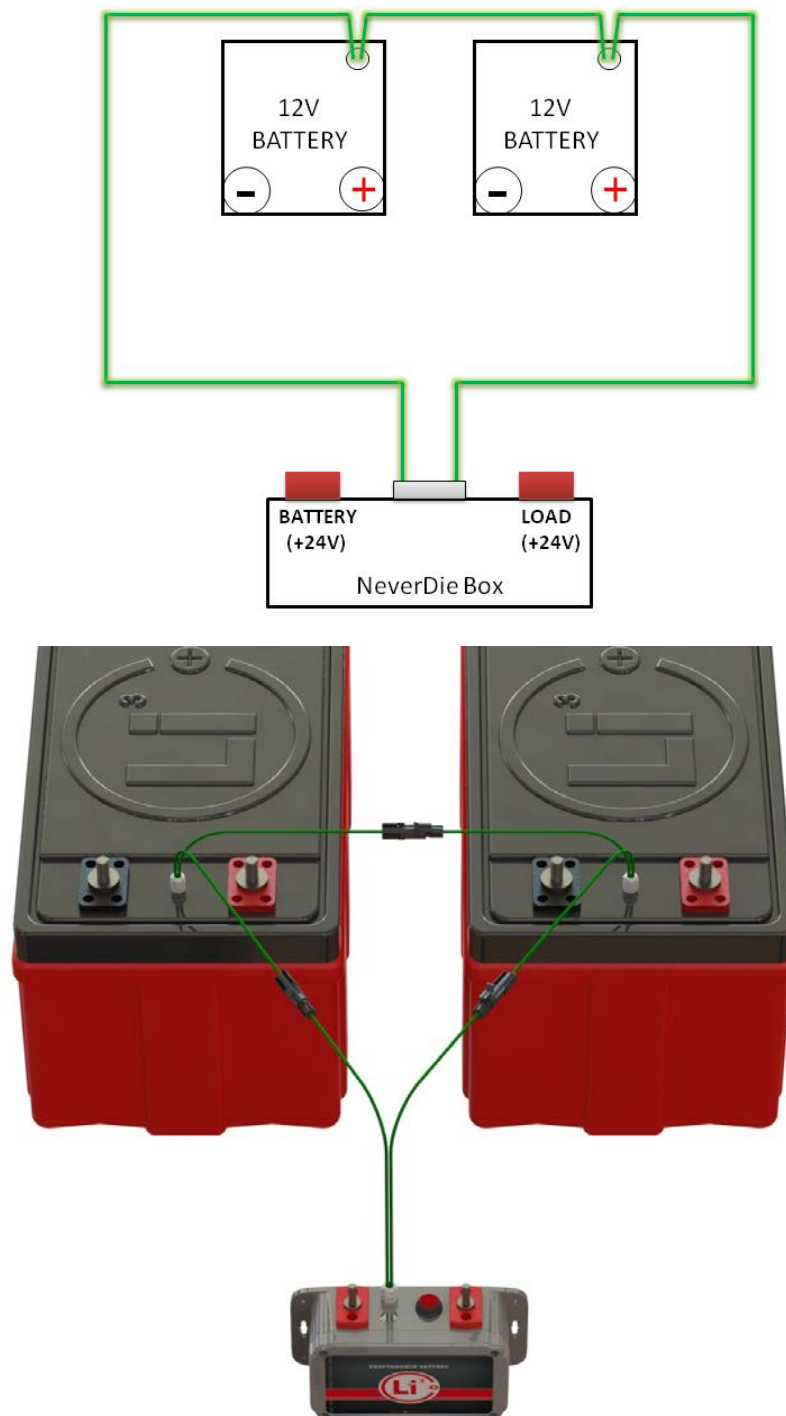
COMPANY DOCUMENT | Nick Margarone

THE INFORMATION CONTAINED IN THIS DOCUMENT IS THE SOLE PROPERTY OF LITHIONICS BATTERY. ANY REPRODUCTION IN PART OR AS A WHOLE WITHOUT THE WRITTEN PERMISSION OF LITHIONICS BATTERY IS PROHIBITED.

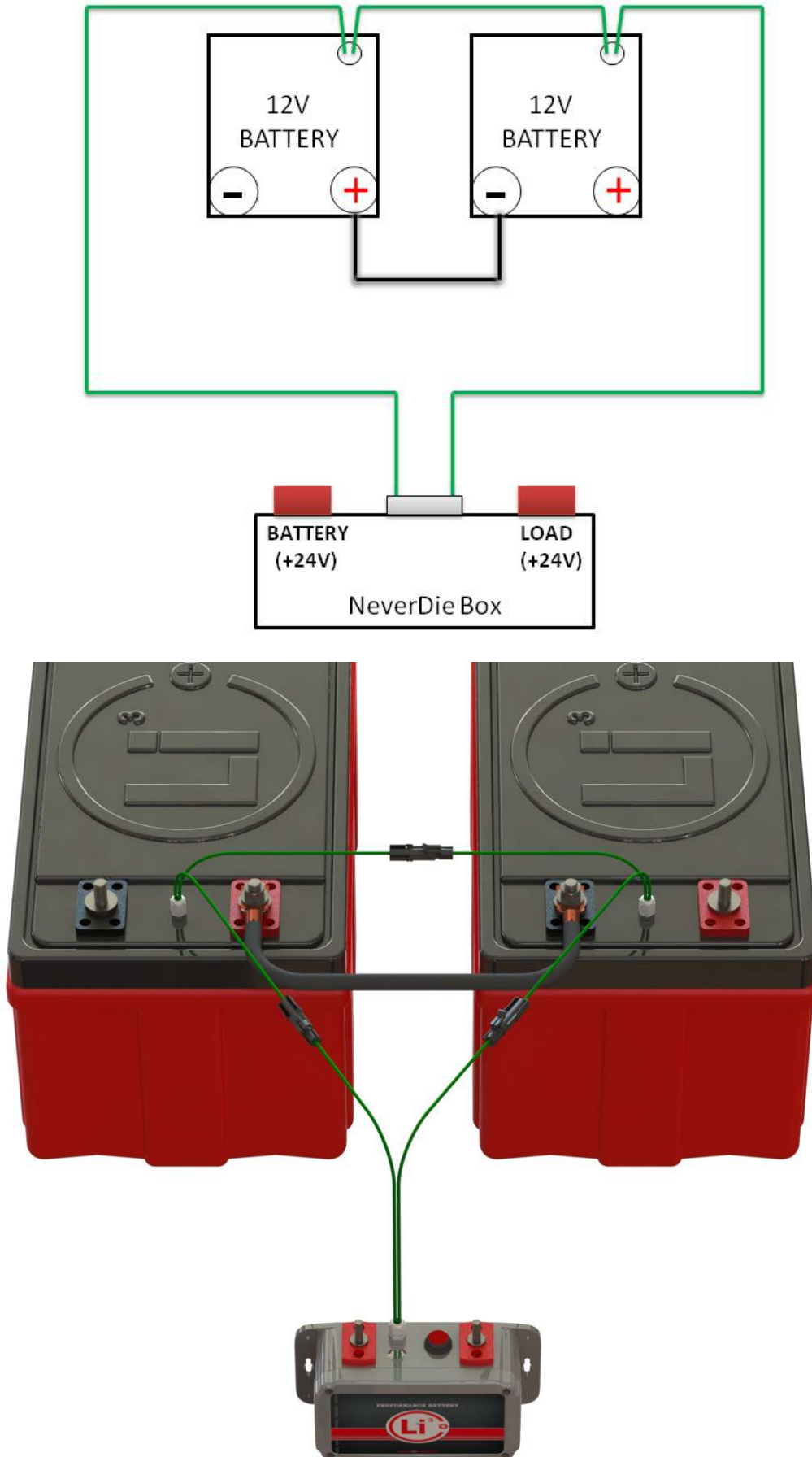
# STEP-BY-STEP WIRING DIAGRAM

## 24V RV House Battery System

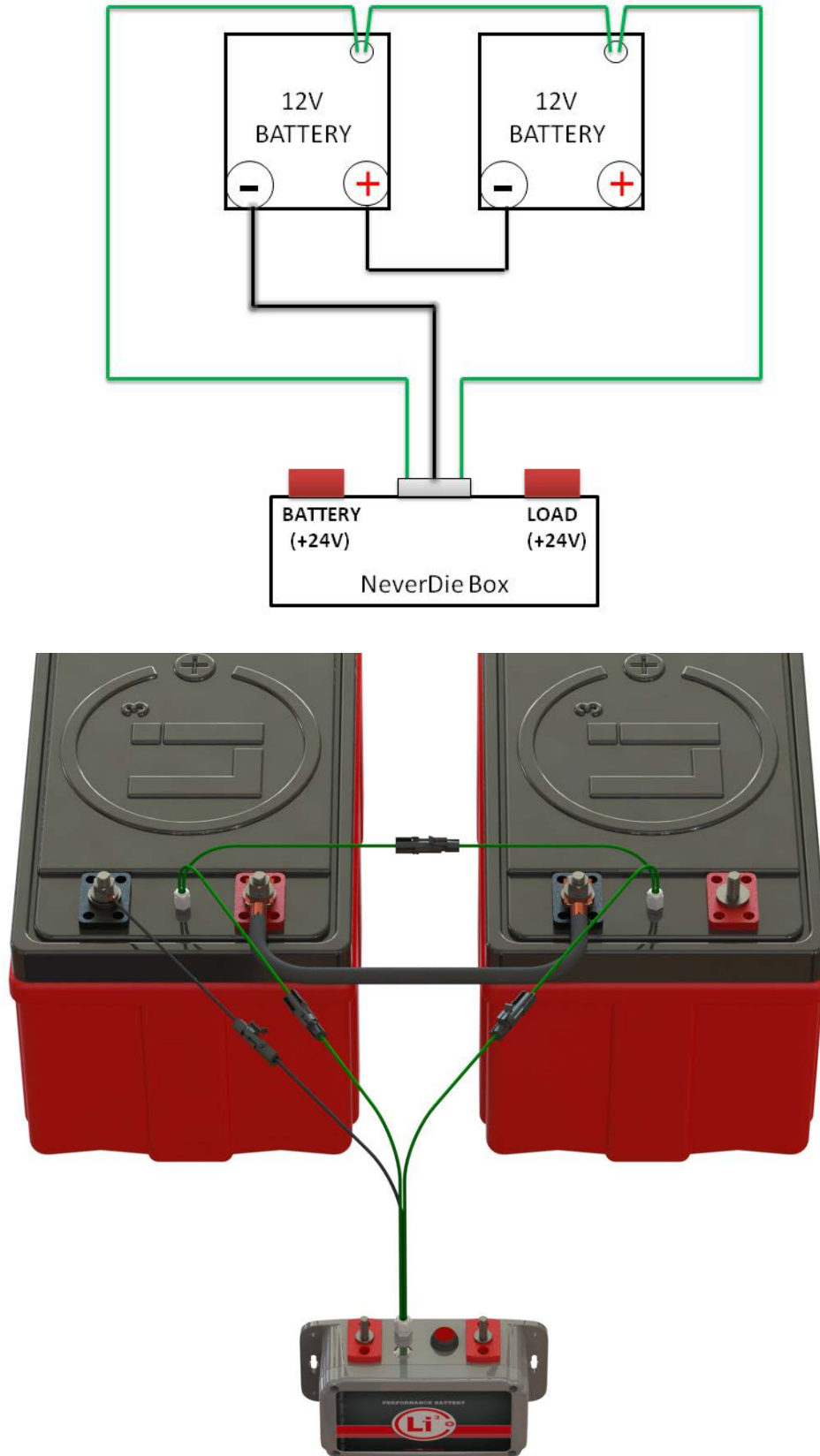
**STEP 1:** Connect the Cell Loop cables (**GREEN**). Make a complete circuit with the cell loop cables between your NeverDie and the batteries.



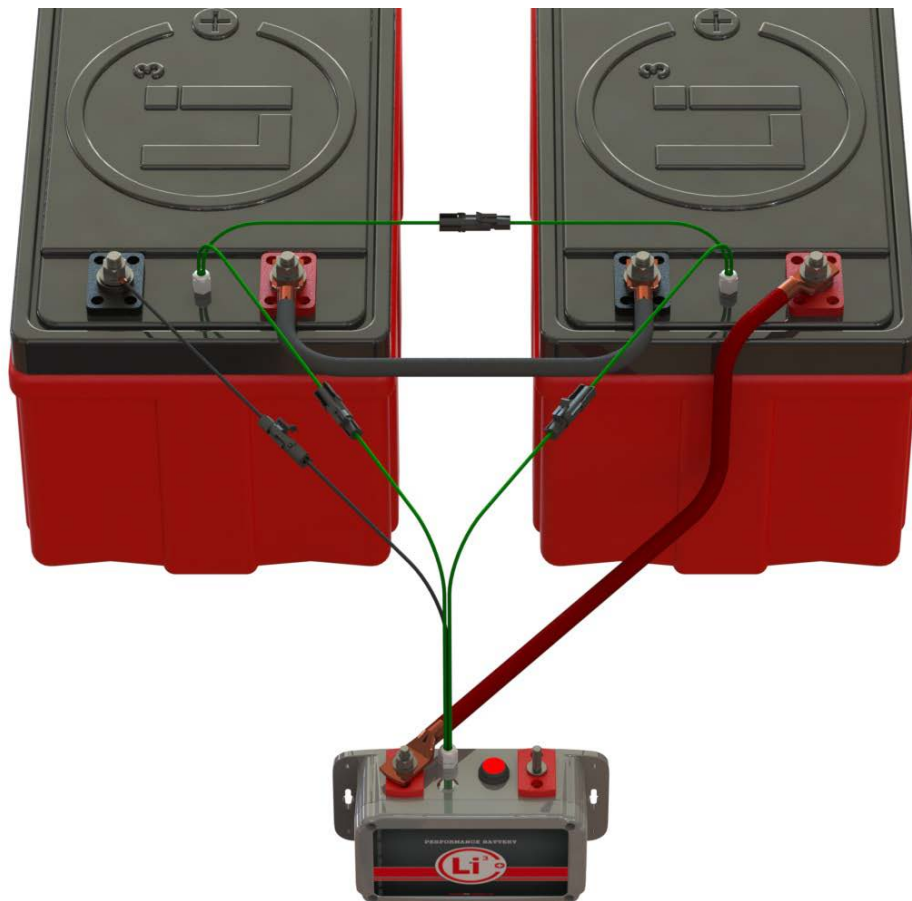
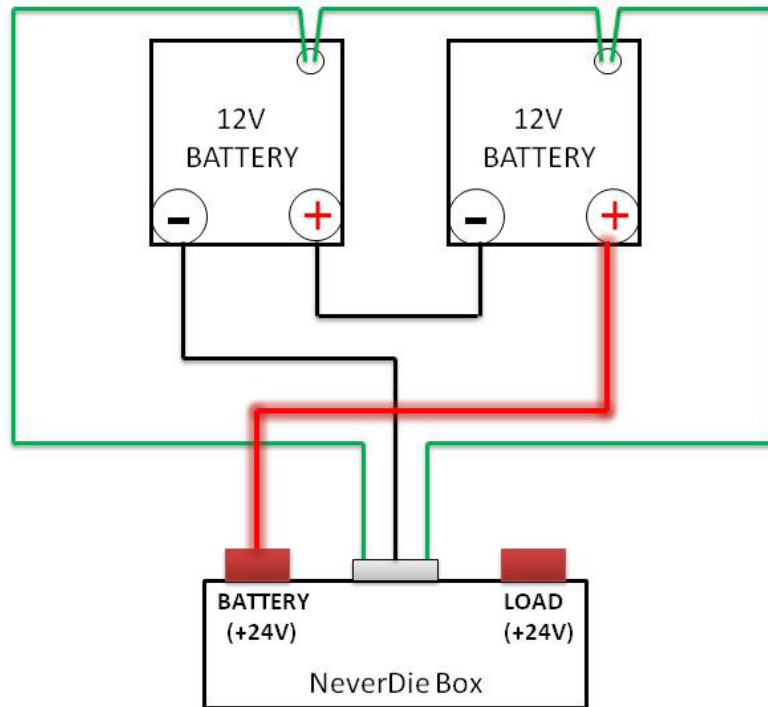
**STEP 2:** Connect the battery system in series to create 24V.



**STEP 3:** Connect the negative (**BLACK**) wire coming from the NeverDie box to the most negative terminal (-24V) of the battery system.



**STEP 4:** Using the supplied cable, connect the most positive terminal (+24V) from the battery system to the NeverDie box terminal labeled BATTERY(+24V).



# DISCHARGING AND CHARGING

