



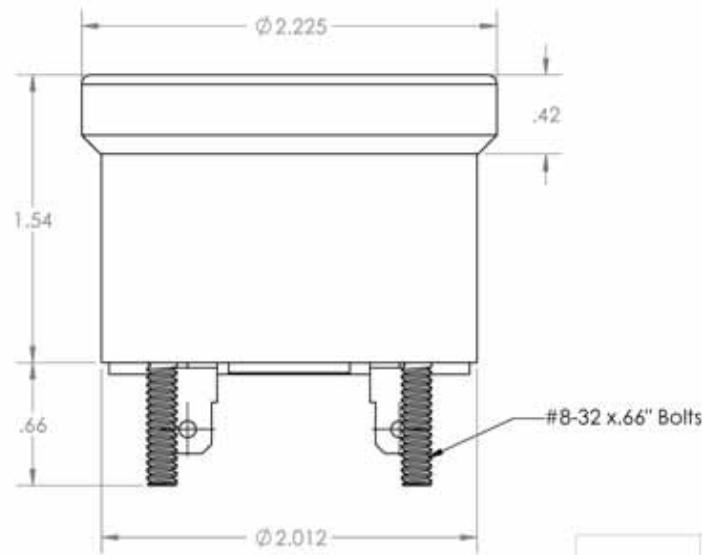
**LITHIONICS BATTERY  
ROUND SOC DISPLAY**





Button for top line

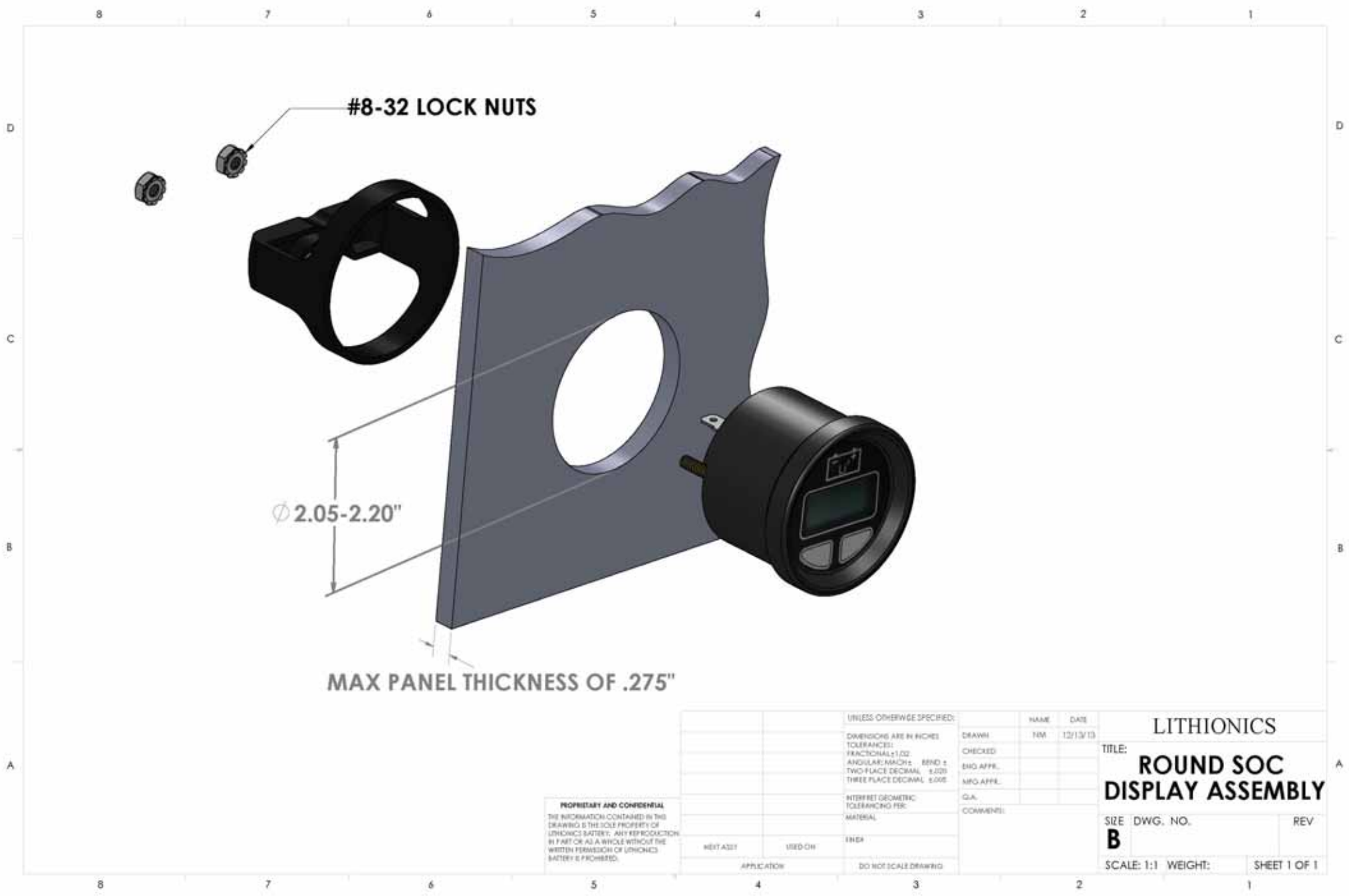
Button for bottom line



**PROPRIETARY AND CONFIDENTIAL**  
 THE INFORMATION CONTAINED IN THIS DRAWING IS THE SOLE PROPERTY OF LITHIONICS BATTERY. ANY REPRODUCTION IN PART OR AS A WHOLE WITHOUT THE WRITTEN PERMISSION OF LITHIONICS BATTERY IS PROHIBITED.

REV 1 (8/7/13): Added membrane overlay.

		UNLESS OTHERWISE SPECIFIED:		NAME	DATE	LITHIONICS	
		DIMENSIONS ARE IN INCHES		DRAWN	12/13/13		TITLE:
		TOLERANCES:		CHECKED		ROUND SoC DISPLAY	
		FRACTIONAL: 1/32		ENG APPR.			SIZE
		ANGULAR: MACH ± BEND ±		MFG APPR.			DWG. NO.
		TWO PLACE DECIMAL ±.020		Q.A.		51-153	
		THREE PLACE DECIMAL ±.005		COMMENT:		REV	
		INTERPRET GEOMETRIC TOLERANCING PER:				1	
		MATERIAL:				SCALE: 3:2	
		FINISH:				WEIGHT:	
NEXT ASSY	USED ON	DO NOT SCALE DRAWING				SHEET 1 OF 1	
APPLICATION							



#8-32 LOCK NUTS

Ø 2.05-2.20"

MAX PANEL THICKNESS OF .275"

**PROPRIETARY AND CONFIDENTIAL**  
 THE INFORMATION CONTAINED IN THIS DRAWING IS THE SOLE PROPERTY OF LITHIONICS BATTERY. ANY REPRODUCTION IN PART OR AS A WHOLE WITHOUT THE WRITTEN PERMISSION OF LITHIONICS BATTERY IS PROHIBITED.

		UNLESS OTHERWISE SPECIFIED:		NAME	DATE	LITHIONICS	
		DIMENSIONS ARE IN INCHES		DRAWN	NM	12/13/13	TITLE:
		TOLERANCES:		CHECKED			<b>ROUND SOC DISPLAY ASSEMBLY</b>
		FRACTIONAL: 1/32		ENG APPR.			SIZE DWG. NO.
		ANGULAR: MATCH ± .000		MFG APPR.			<b>B</b>
		TWO PLACE DECIMAL: ± .020		G.A.			REV
		THREE PLACE DECIMAL: ± .005		COMMENTS:			SCALE: 1:1 WEIGHT:
		INTERPRET GEOMETRIC TOLERANCING PER:					SHEET 1 OF 1
		MATERIAL:					
		FINISH:					
NEXT ASSY	USED ON	APPLICATION		DO NOT SCALE DRAWING			